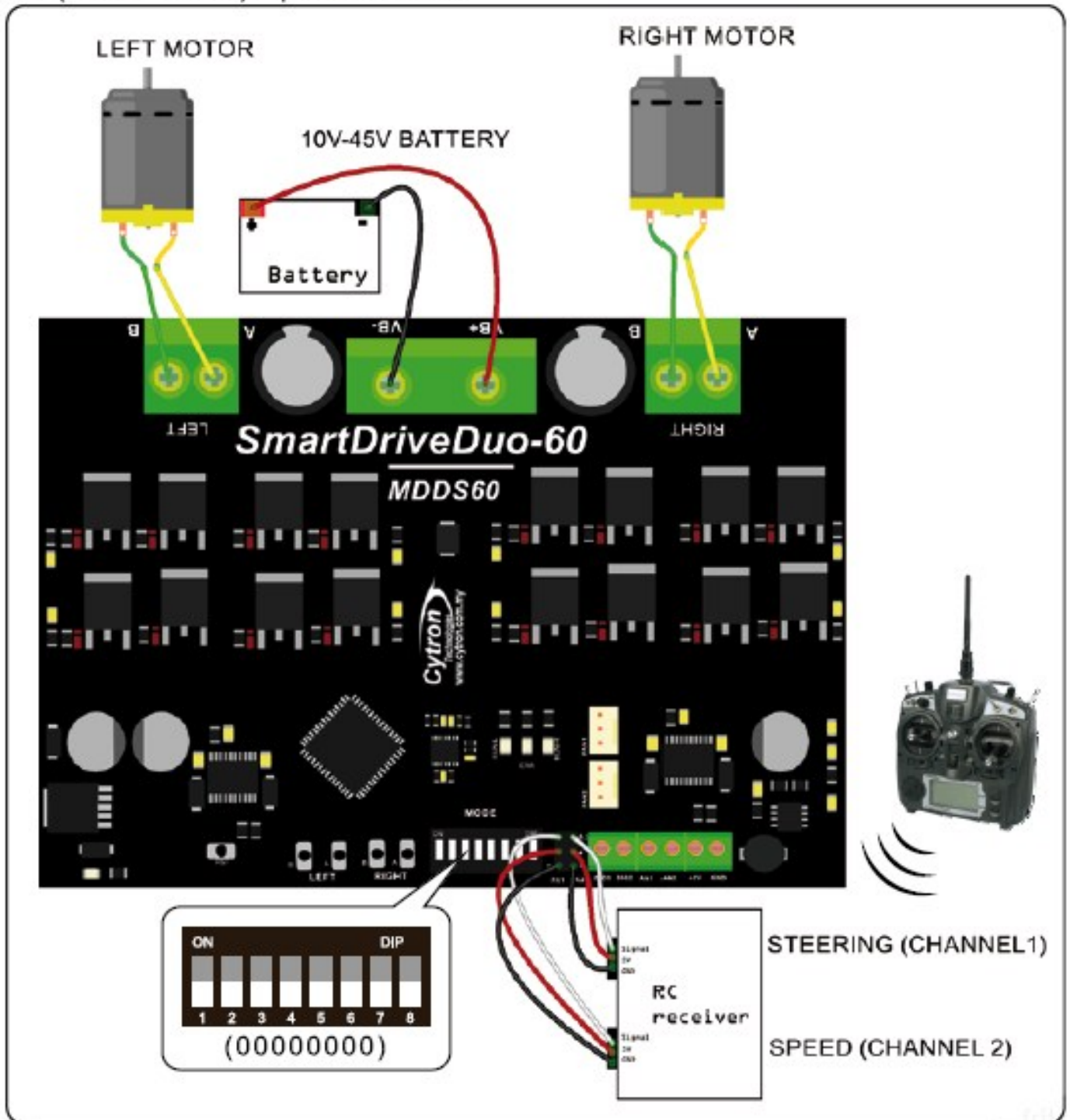


MDDS60 Quick Start Guide

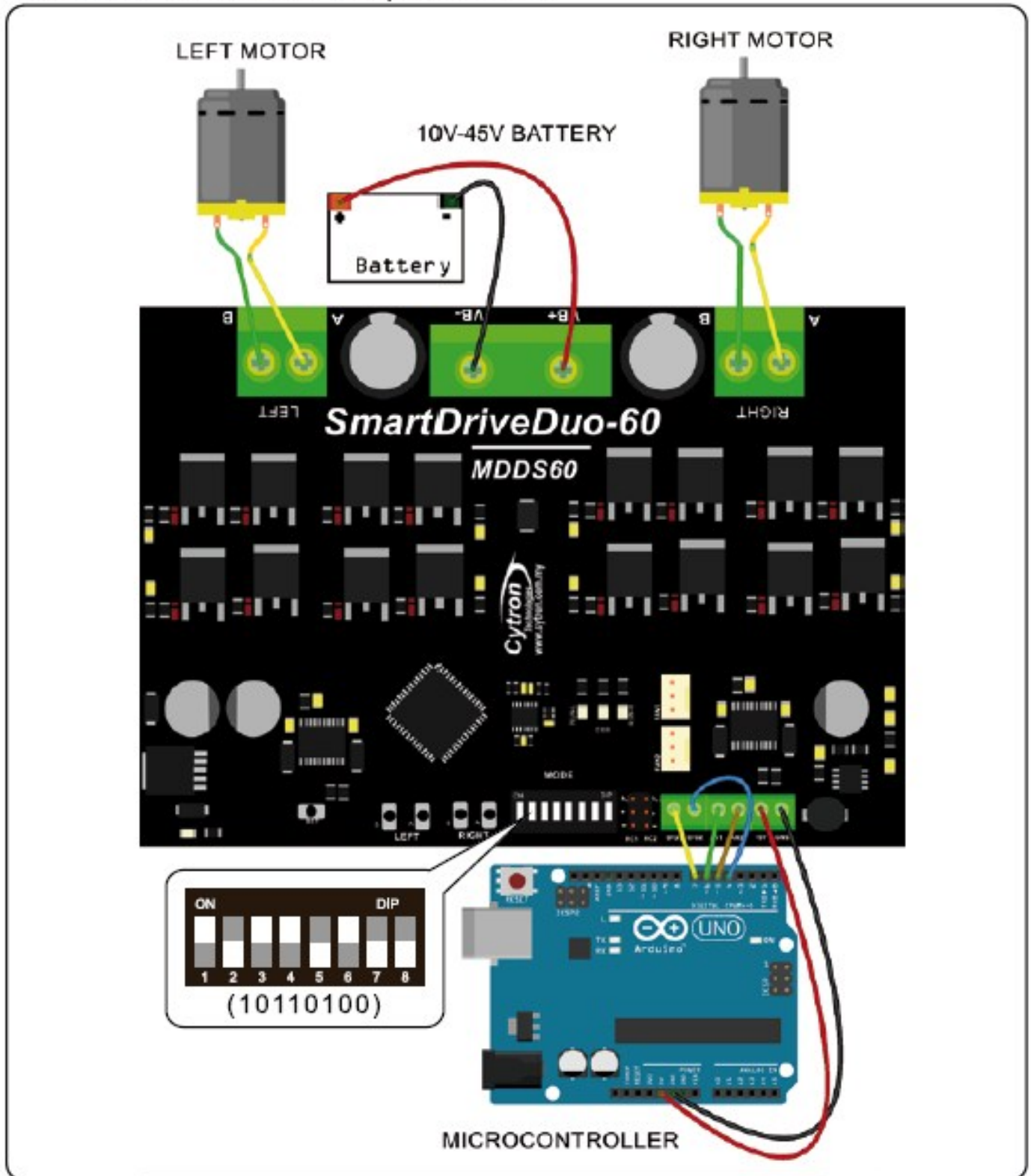
RC (Radio Control) Input: Mix Mode



*** Warning: No polarity protection at VB!!**

For further details, please visit User's Manual at www.cytron.com.my/p-mdds60

PWM with Microcontroller: Independent Both



*** Warning: No polarity protection at VB!!**

For further details, please visit User's Manual at www.cytron.com.my/p-mdds60