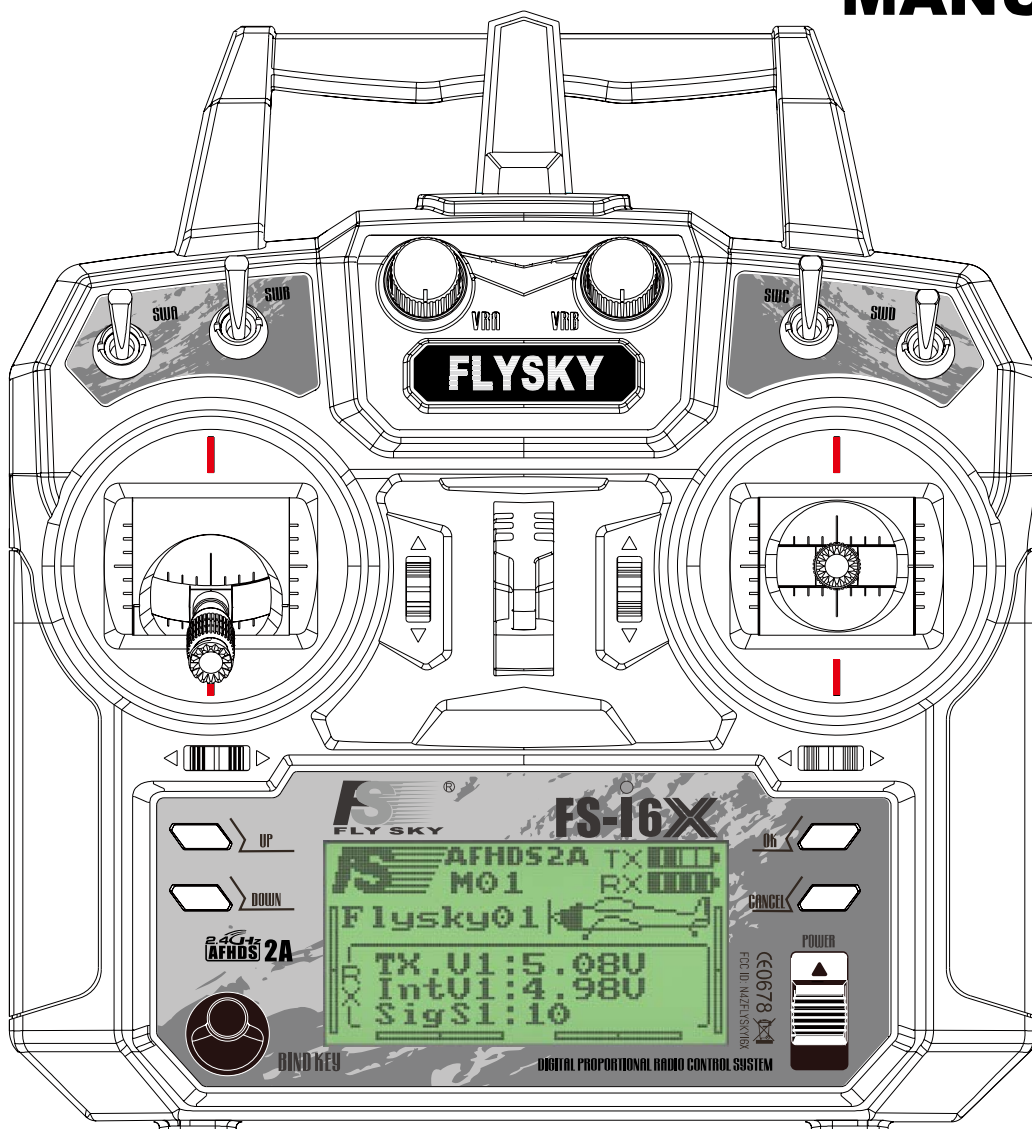




Digital Proportional Radio Control System

FS-I6X

INSTRUCTION MANUAL



2.4GHz AFHDS 2A

Digital Proportional Radio Control System

Copyright ©2016

Flysky RC model technology co., Ltd



CE 0678

FCC ID:N4ZFLYSKYI6X



Thank you for purchasing our product, an ideal radio system for beginners or experienced users alike.

Read this manual carefully before operation in order to ensure your safety, and the safety of others or the safe operation of your system.

If you encounter any problem during use, refer to this manual first. If the problem persists, contact your local dealer or visit our service and support website for help:

<http://www.flysky-cn.com>

Table of Contents

1. Safety	4
1.1 Safety Symbols	4
1.2 Safety Guide.....	4
2. Introduction	6
2.1 System Features.....	6
2.2 Transmitter Overview	7
2.2.1 Transmitter Antenna	8
2.2.2 Battery Indicator.....	8
2.2.3 Trims.....	8
2.3 Receiver Overview	8
2.3.1 Receiver Antenna.....	8
2.3.2 Connectors	9
3. Getting Started	10
3.1 Transmitter Battery Installation.....	10
3.2 Connecting the Receiver and Servos	10
4. Operation Instructions	11
4.1 Power On.....	11
4.2 Binding.....	11
4.3 Pre-use Check.....	12
4.4 Changing Stick Modes	12
4.5 Power Off	13
5. Function Descriptions	14
5.1 Flight Controls(Default Mode 2).....	14
5.2 Reverse Function	15
5.3 End points.....	15
5.4 Display.....	16
5.5 Aux Channels	16
5.6 Subtrim	16
5.7 Dual rate/exp.....	16
5.8 Throttle Curve	17
5.9 Mixes	17
5.10 Elevon	18
5.11 V Tail.....	18
5.12 Assign Switches.....	18
5.13 Throttle Hold.....	19
6. Helicopter Function	20
6.1 Pitch Curve	20
6.2 Swashplate Mix	20
6.3 Gyroscope.....	20
7. System	20
7.1 Model Select	21
7.2 Model Name.....	21
7.3 Type Select.....	21
7.4 Model Copy.....	21
7.5 Model Reset.....	21

7.6 Trainer Mode	22
7.7 Student Mode.....	22
7.8 Sticks mode	22
7.9 LCD Brightness	22
7.10 Firmware Ver.....	22
7.11 Firmware Update	22
7.12 Factory Reset.....	23
7.13 Aux Switches.....	23
8. RX Setup	24
8.1 RF Standard	24
8.2 RX Battery	24
8.3 Failsafe	24
8.4 Sensors List.....	25
8.5 Choose Sensors	25
8.6 Speed and Distance.....	25
8.7 ASL Pressure.....	26
8.8 Output Mode.....	26
8.9 i-BUS Setup	26
8.10 Servos Freq	26
9. System Customization	27
9.1 Switching Channel Assignments.....	27
9.2 Activate Switch/Knob	29
10.Package Contents.....	30
11. Product Specification	31
11.1 Transmitter Specification (FS-i6X).....	31
11.2 Receiver Specification (FS-iA6)	31
Appendix 1 FCC Statement	32

1. Safety

1.1 Safety Symbols

Pay close attention to the following symbols and their meanings. Failure to follow these warnings could cause damage, injury or death.

 **Danger** • Not following these instructions may lead to serious injuries or death.

 **Warning** • Not following these instructions may lead to major injuries.

 **Attention** • Not following these instructions may lead to minor injuries.

1.2 Safety Guide



- **Do not use the product at night or in bad weather like rain or thunderstorm. It can cause erratic operation or loss of control.**
- **Do not use the product when visibility is limited.**
- **Do not use the product on rain or snow days. Any exposure to moisture (water or snow) may cause erratic operation or loss of control.**
- **Interference may cause loss of control. To ensure the safety of you and others, do not operate in the following places:**
 - Near any site where other radio control activity may occur
 - Near power lines or communication broadcasting antennas
 - Near people or roads
 - On any pond when passenger boats are present
- **Do not use this product when you are tired, uncomfortable, or under the influence of alcohol or drugs. Doing so may cause serious injury to yourself or others.**
- **The 2.4GHz radio band is limited to line of sight. Always keep your model in sight as a large object can block the RF signal and lead to loss of control.**
- **Never grip the transmitter antenna during operation. It significantly degrades signal quality and strength and may cause loss of control.**
- **Do not touch any part of the model that may generate heat during operation, or immediately after use. The engine, motor or speed control, may be very hot and can cause serious burns.**



- **Misuse of this product may lead to serious injury or death. To ensure the safety of you and your equipment, read this manual and follow the instructions.**
- **Make sure the product is properly installed in your model. Failure to do so may result in serious injury.**
- **Make sure to disconnect the receiver battery before turning off the transmitter. Failure to do so may lead to unintended operation and cause an accident.**
- **Ensure that all motors operate in the correct direction. If not, adjust the direction first.**
- **Make sure the model flies within a certain distance. Otherwise, it could cause loss of control.**

2. Introduction

The FS-i6X transmitter and FS-iA6 receiver constitute a 6-channel 2.4GHz AFHDS 2A digital proportional computerized R/C system. It is compatible with fixed-wing and helicopters.

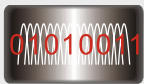
2.1 System Features

The AFHDS 2A (Automatic Frequency Hopping Digital System Second Generation) developed and patented by FLYSKY is specially developed for all radio control models. Offering superior protection against interference while maintaining lower power consumption and high reliable receiver sensitivity, FLYSKY's AFHDS technology is considered to be one of the leaders in the RC market today.



Bidirectional Communication

Capable of sending and receiving data, each transmitter is capable of receiving data from temperature, altitude and many other types of sensors, servo calibration and i-BUS Support.



Multi-channel Hopping Frequency

This systems bandwidth ranges from 2.408GHz to 2.475GHz. This band is divided in 135 channels. Each transmitter hops between 16 channels (32 for Japanese and Korean versions) in order to reduce interference from other transmitters.



Omnidirectional Gain Antenna

The high efficiency Omnidirectional high gain antenna cuts down on interference, while using less power and maintaining a strong reliable connection.



Unique ID Recognition System

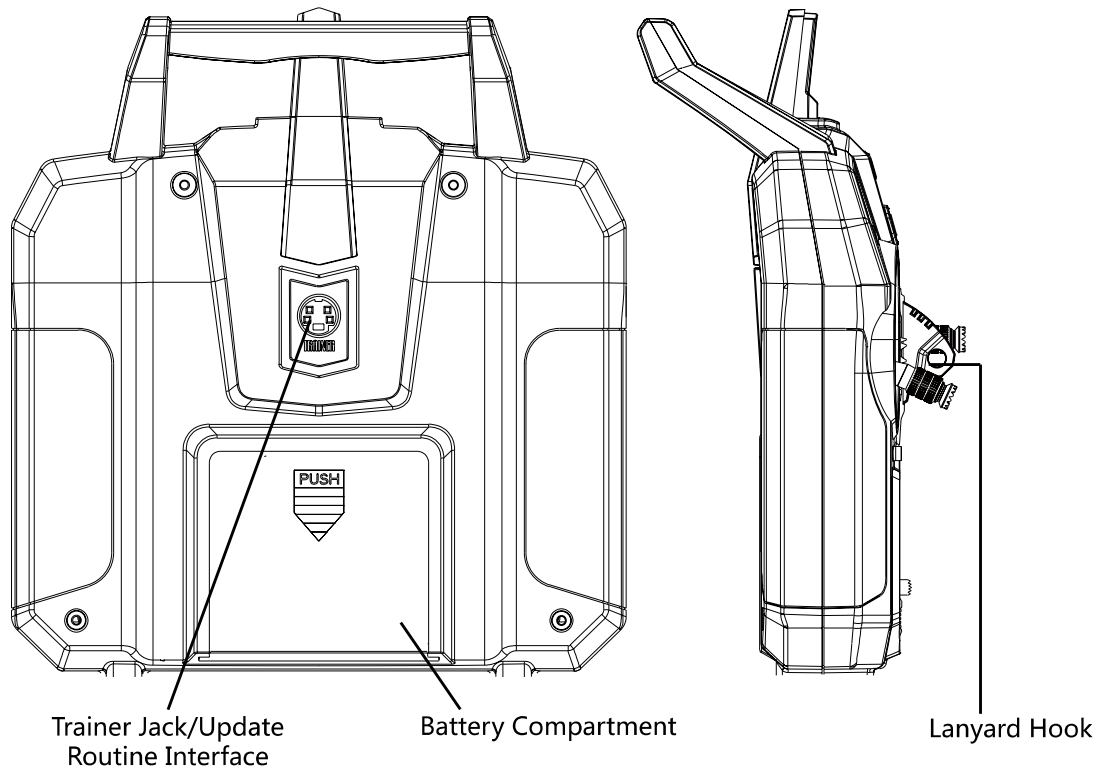
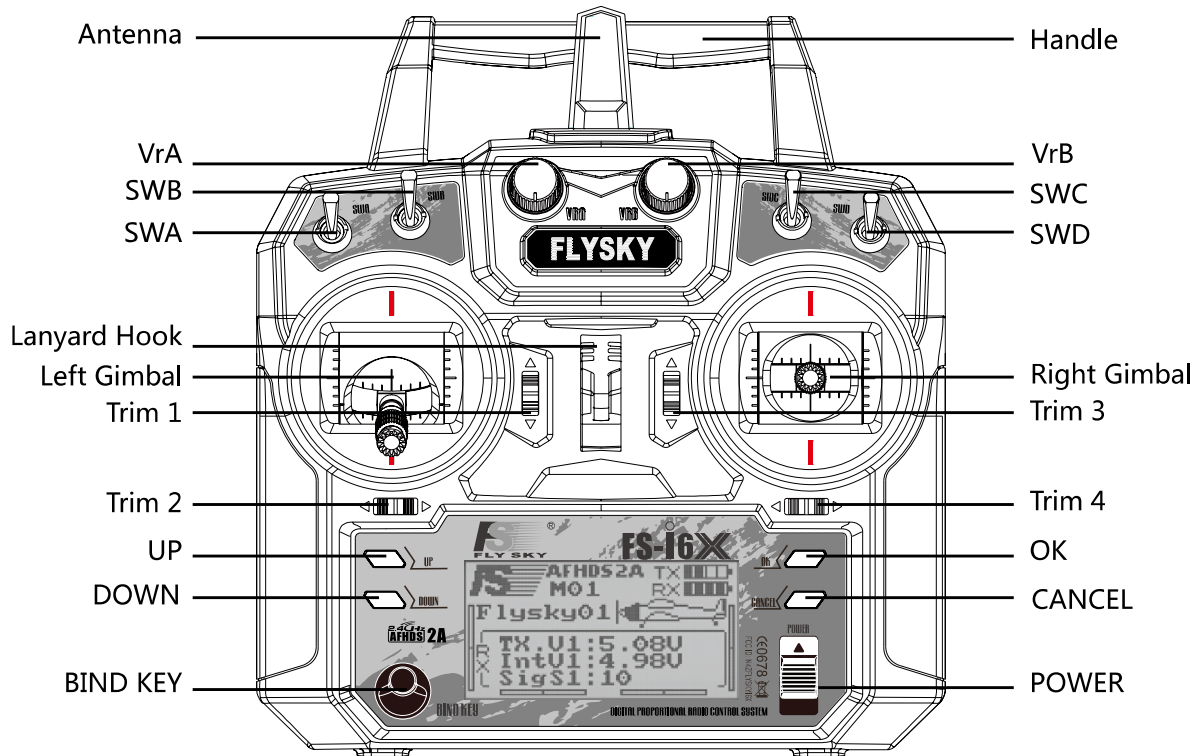
Each transmitter and receiver has it's own unique ID. Once the transmitter and receiver have been paired, they will only communicate with each other, preventing other systems accidentally connecting to or interfering with the systems operation.





Low Power Consumption

The system is built using highly sensitive low power consumption components, maintaining high receiver sensitivity, while consuming as little as one tenth the power of a standard FM system, dramatically extending battery life.

2.2 Transmitter Overview



2.2.1 Transmitter Antenna

-  **Warning** • For best signal quality, make sure that the antenna is at about a 90 degree angle to the model. Do not point the antenna directly at the receiver.
-  **Danger** • Never grip the transmitter antenna during operation. It significantly degrades the RF signal quality and strength and may cause loss of control.

2.2.2 Battery Indicator

The status indicator is used to indicate the power and status of the transmitter and receiver. If a receiver is not connected or bound to the transmitter no battery status will be displayed for the receiver.



2.2.3 Trims

There are 4 trims affecting stick functionality, one for ailerons (Channel 1), elevator (Channel 2), throttle (Channel 3) and rudder(Channel4). Each time a trim is toggled, the trim will move one step. It is possible to make quicker trim adjustments by holding the trim in the desired direction. When the trim position reaches the middle, the transmitter beeps in a higher tone.

2.3 Receiver Overview



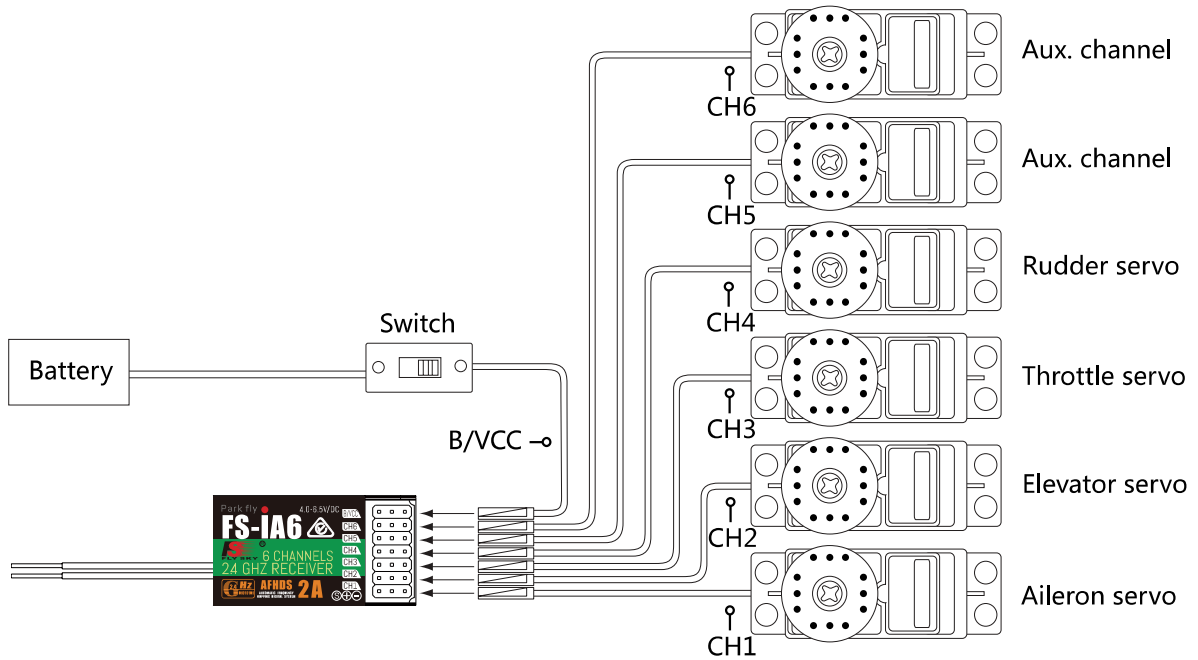
2.3.1 Receiver Antenna

-  **Attention** • For best signal quality, ensure that the receiver is mounted away from motors or metal parts.

2.3.2 Connectors

The connectors are used to connect the parts of model and the receiver.

- CH1 to CH6: used to connect the servos, power or other parts.
- B/VCC: used to connect the bind cable for binding, and the power cable during normal operation.



3. Getting Started

Before operation, install the battery and connect the system as instructed below.

3.1 Transmitter Battery Installation

- ⚠ Danger • Only use specified battery.**

- ⚠ Danger • Do not open, disassemble, or attempt to repair the battery.**

- ⚠ Danger • Do not crush/puncture the battery, or short the external contacts.**

- ⚠ Danger • Do not expose to excessive heat or liquids.**

- ⚠ Danger • Do not drop the battery or expose to strong shocks or vibrations.**

- ⚠ Danger • Always store the battery in a cool, dry place.**

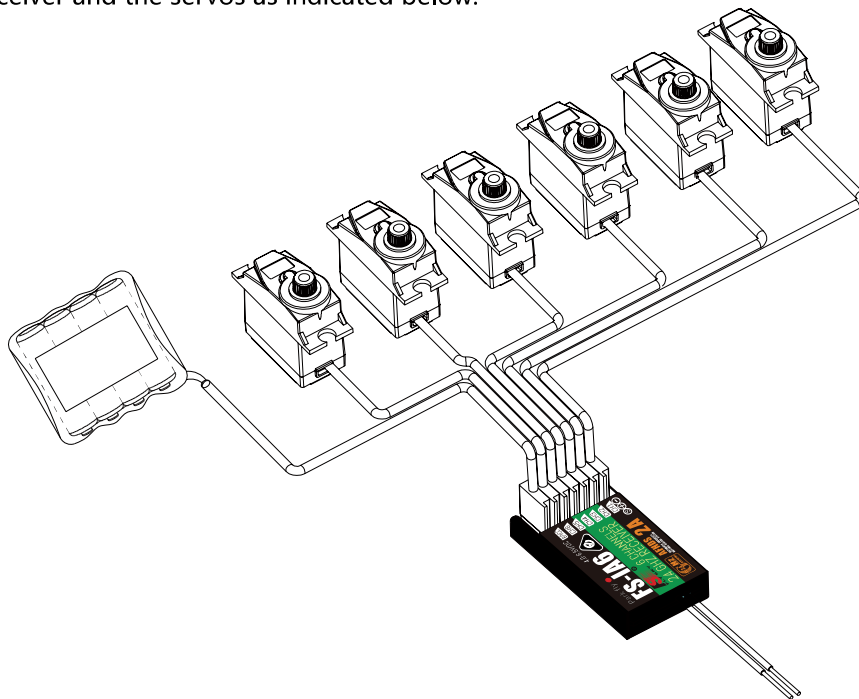
- ⚠ Danger • Do not use the battery if damaged.**

Follow the steps to install the transmitter battery:

1. Open the battery compartment.
2. Insert 4 fully-charged AA batteries into the compartment. Make sure that the batteries makes good contact with the battery compartments' contacts, with the correct polarity.
3. Replace the battery compartment cover.

3.2 Connecting the Receiver and Servos

Connect the receiver and the servos as indicated below:



4. Operation Instructions

After setting up, follow the instructions below to operate the system.

4.1 Power On

Follow the steps below to turn on the system:

1. Check the system and make sure that:
 - The batteries are fully charged and installed properly.
 - The receiver is off and correctly installed.
2. Toggle the power switch to its upward position.
3. Connect the receiver power supply to the **B/VCC** port on the receiver.

The system is now powered on. Operate with caution, or serious injury could result.

4.2 Binding

The transmitter and receiver have been pre-bound before delivery. If you are using another transmitter or receiver, follow the steps below to bind the transmitter and receiver:

1. Connect the supplied bind cable to the **B/VCC** port on the receiver.
2. Insert power into any other port.
3. Hold the bind key while powering on the transmitter to enter bind mode.
4. Remove the power and bind cable from the receiver. Then connect the power cable to the **B/VCC** port.
5. Check the servos' operation. If anything does not work as expected, restart this procedure from the beginning.

4.3 Pre-use Check

Before operation, perform the following steps to check the system:

1. Check to make sure that all servos and motors are working as expected.
2. Check operating distance: one operator holds the transmitter, and another one moves the model away from the transmitter. Check the model and mark the distance from where the model starts to lose control.

⚠ Danger • Stop operation if any abnormal activity is observed.

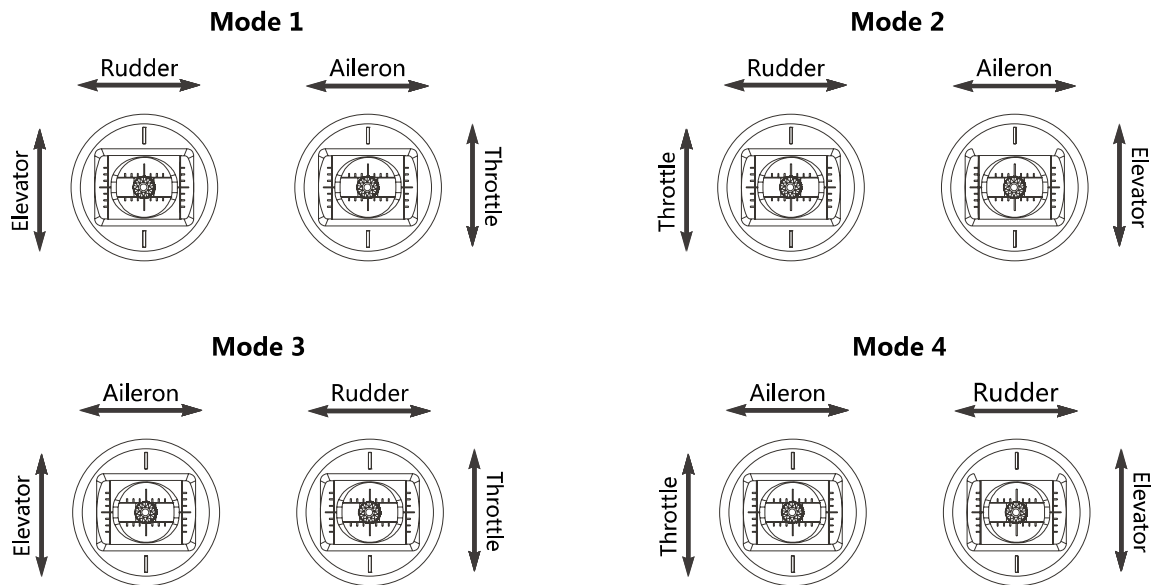
⚠ Danger • Make sure the model does not go out of range.

⚠ Attention • Sources of interference may affect signal quality.

4.4 Changing Stick Modes

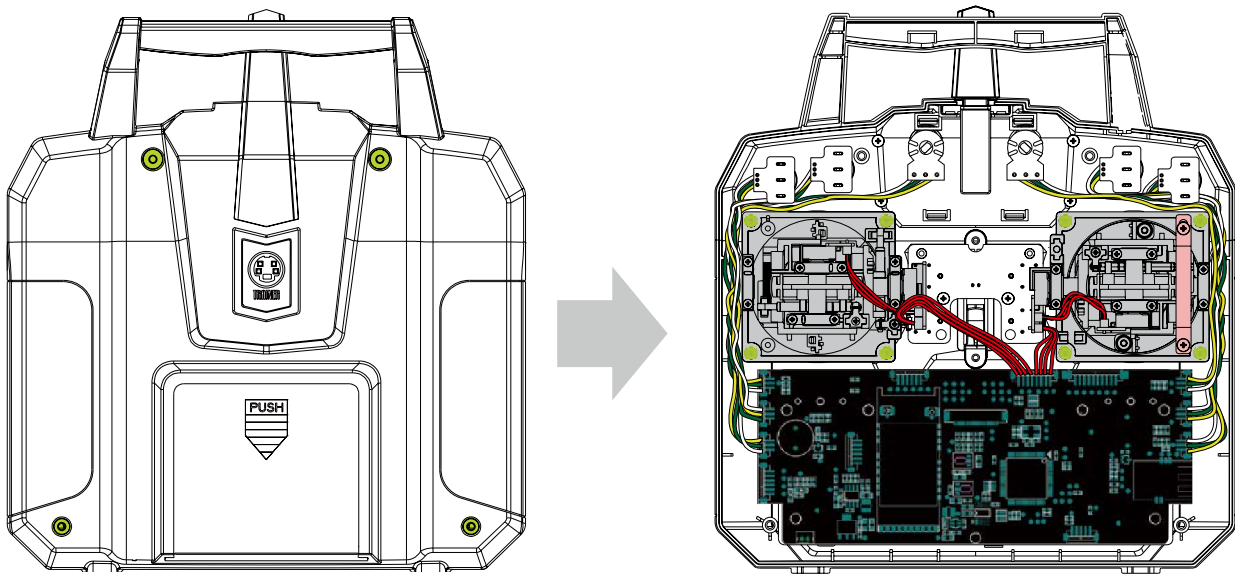
Usually the stick with the self centering feature on both axes will be mapped to the Elevator, while the other to the Throttle.

The functions of the sticks in respective modes are shown below:



When switching between modes one and two it is necessary to reverse the gimbals positions to ensure that throttle is on the correct side. To switch the sticks:

1. Take the battery out from the transmitter, Loosen the four screws that hold the rear cover shown in green on left .
2. Carefully take the back off the transmitter and disconnect the cables connected to it.
3. Unscrew the screws around the gimbals, marked in green in the picture on right.
4. Switch the gimbals to the opposite side. Make sure the gimbals have been rotated 180 degrees so that the wires are facing towards the middle of the system.
5. Reconnect the wires connecting the back to the front, then reattach the back and tighten the screws.



6. Turn the transmitter, go to Main Menu, select "System Setup" and navigate to "Sticks mode" then make sure the correct stick mode is selected. From the main menu enter "System Setup" and select "Display" and move the joystick to make sure that the channel moves in the correct direction.

4.5 Power Off

Follow the steps below to turn off the system:

1. Disconnect the receiver power.
2. Toggle the transmitter's power switch to its low position.



Danger

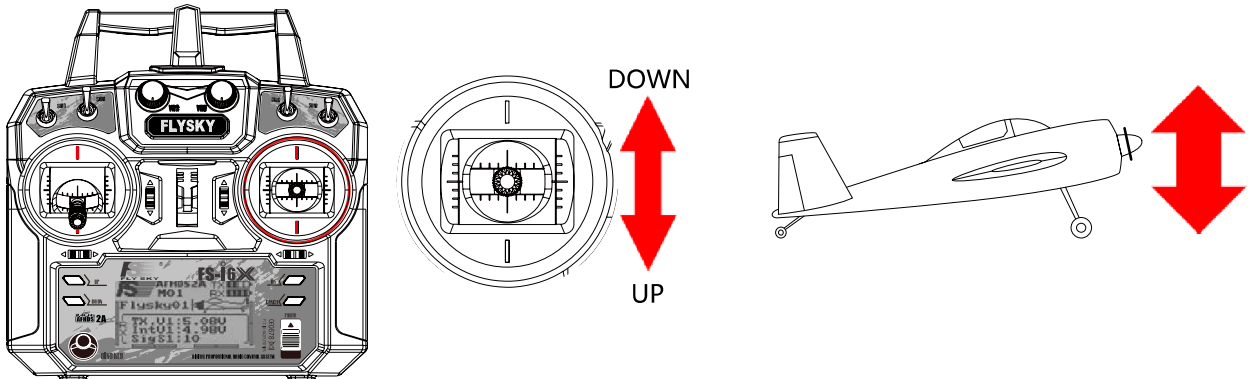
- **Make sure to disconnect the receiver power before turning off the transmitter. Failure to do so may lead to damage or serious injury.**

5. Function Descriptions

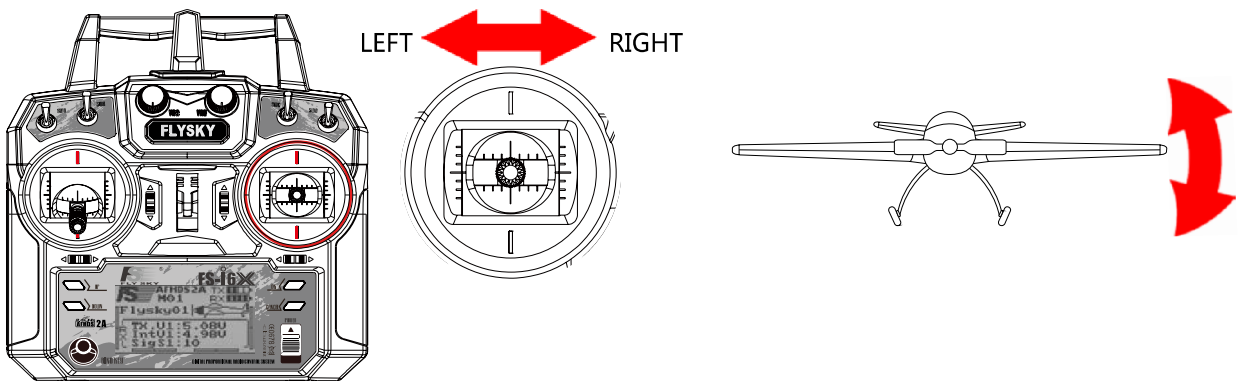
5.1 Flight Controls (Default Mode 2)

The sticks are used for controlling the aircraft, each stick has 2 functions. The right stick controls pitch and roll, the left stick controls throttle and yaw.

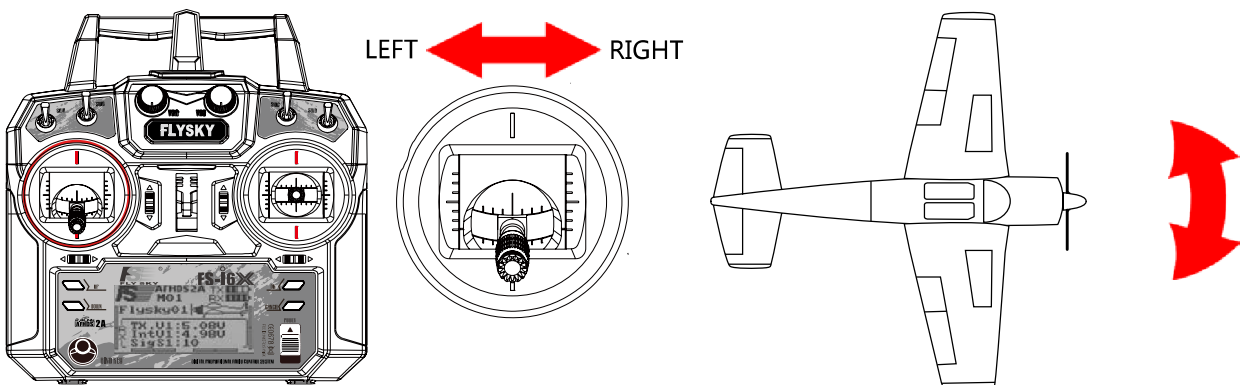
Pitch (Right Stick Up/Down)



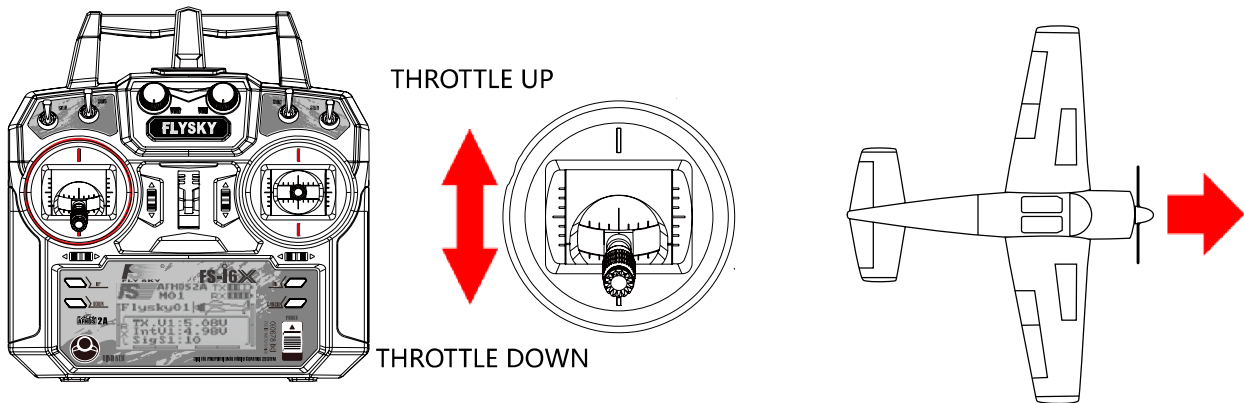
Roll (Right Stick Left/Right)



Yaw (Left Stick Left/Right)



Throttle (Left Stick Up/Down)



5.2 Reverse Function

The reverse function changes a channels direction of movement in relation to its input. For example, if a servo has to be mounted upside down due to space restrictions within a model, this function can be used to correct its movement so that it matches up with the user controls.

Setup:

1. To change between normal and press the "OK" key until the desired channel is selected, then use the "UP" and "DOWN" keys to change setting.
2. Hold the "CANCEL" key to save and return to the previous menu.
3. To return to default settings press and hold the "OK" key for 3 seconds. Press and hold the "CANCEL" key to save.

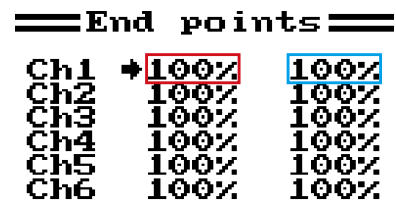
5.3 End Points

The end points function changes the range of movement available to a channel. This can be used to prevent damage to a model when a servo moves too far, potentially leading to damage to pushrods etc.

The left box is the low end point, the right box is the high end point, marked below as low being red and blue being high.

Setup:

1. Press the "OK" to change channels.
2. Move the channel using its stick or knob to select the low or high side.
3. Use the "UP" and "DOWN" keys to increase or decrease the value.
4. Hold the "CANCEL" key to save and return to the previous menu.
5. To return to default settings press and hold the "OK" key for 3 seconds. Press and hold the "CANCEL" key to save.



5.4 Display

This function displays the model's channel output in real time.



Warning

- Make sure the model engine is powered off while the test function is activated. If powered on, it will rev up and cause unexpected results.



Danger

- Make sure the model does not go out of range.

==== Display ====

Ch1				
Ch2				
Ch3				
Ch4				
Ch5				
Ch6				

Setup:

1. Hold the "OK" key to enable channel scrub mode. In this mode the channels will sweep through their entire range of motion.
2. Press "CANCEL" key to exit.

5.5 Aux Channels

The auxiliary channels function can be used to assign switches to extra channels to control additional part of a model such as landing gear or lights.

Setup:

1. Press the "OK" to change channels.
2. Use the "UP" and "DOWN" keys to select a source (Switch, Knob or None).
3. Hold the "CANCEL" key to save and return to the previous menu.

==== Aux. channels ====

→ Channel 5
 → Source UrA

 Channel 6
 Source UrB

5.6 Subtrim

Subtrim changes the center point of the channel. For example, if a model's rudder is slightly out of alignment, the subtrim could be used to fix this.

Setup:

1. Press the "OK" to change channels.
2. Use the "UP" and "DOWN" keys to change the subtrim position.
3. Hold the "CANCEL" key to save and return to the previous menu.
4. To return to default settings press and hold the "OK" key for 3 seconds. until the channel returns to the center. Press and hold the "CANCEL" key to save.

==== Subtrim ====

→ Ch1				
Ch2				
Ch3				
Ch4				
Ch5				
Ch6				

5.7 Dual rate/exp.

The dual rate/exp. function only applies to channels 1, 2, 4.

[Dual Rate]: Dual Rate reduces or increases the difference between the highest and lowest possible value, for example if applied to the rudder, (set to a throw of 10cm) before changing the settings, when you move your stick to 1/2 you would get 5cm rudder movement, if you move the stick 1/4 of the way, the

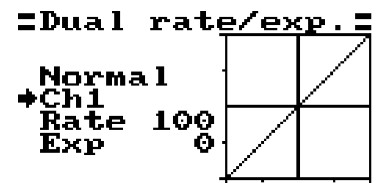
rudder will move 2.5cm, so at 100% there is a direct, linear relationship of stick movement and surface movement.

If a setting of 50% is entered then moving the stick all the way in one direction will only give 1/2 of the surface movement and 1/2 stick movement will only produce 1/4 surface movement, this has the effect of reducing how responsive the rudder is when the stick is moved, effectively reducing the range of movement available to the servo. This function is usually assigned to a condition so that it can be turned on and off during flight.

[Exp. (Exponential)]: Exponential changes the relationship between stick movement and surface movement by creating a curve, when in use the stick movement and surface movement are no longer linear so the stick has a different response in different at different positions. For example this is useful when needing less reaction during a take-off but more reaction when in the air.

Setup:

1. Press the "OK" to change between settings.
2. Use the "UP" and "DOWN" keys to change the channel/ rate/exp depending on the selected setting.
3. Hold the "CANCEL" key to save and return to the previous menu.
4. To return a setting to default, press and hold the "OK" key for 3 seconds. Press and hold the "CANCEL" key to save.



5.8 Throttle Curve

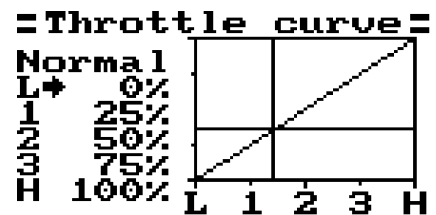
This function enables the user to adjust the ratio between stick and servo movement using a linear line or non-linear curves.

This is useful when wanting to change how the throttle reacts at between different stick positions, for example having a smaller throttle change when the stick is between 0-30%, then a larger throttle change between 30% and 100%. If your models throttle is not linear, it is also possible to use this function to create a more linear movement.

This function uses 5 points to change the throttle curve, L being the low and H being the high.

Setup:

1. Press the "OK" to change between points.
2. Use the "UP" and "DOWN" keys to change point position.
3. Hold the "CANCEL" key to save and return to the previous menu.
4. To return a setting to default, press and hold the "OK" key for 3 seconds. Press and hold the "CANCEL" key to save.



5.9 Mixes

This function is used to create a mix between channels. For example if at low throttle some automated flap movement was desired then it is possible to create a mix to do this. This system can have up to 3 different mixes.

Setup:

1. Use the "UP" and "DOWN" keys to select a mix.
2. Use the "OK" key to change between settings.
3. Select a master channel, this channel will control the slave channel.
4. Select a slave channel to be controlled by the master.

5. Set the positive and negative mix, this setting controls how much the slave channel will move in relation to the masters movement, if set to 50% the slave will move half the amount of the master.
6. Set the offset, the offset changes the center of the slave channel in relation to the master.
7. Hold the "CANCEL" key to save and return to the previous menu.
8. To return a setting to default, press and hold the "OK" key for 3 seconds. Press and hold the "CANCEL" key to save.

```

===== Mixes =====
→Mix#1
  Mix is      Off
  Master     Ch1
  Slave      Ch2
  Pos. mix    50%
  Neg. mix    50%
  Offset      0%
    
```

5.10 Elevon

The elevon function is used for planes that combine the elevons an ailerons together.

Setup:

1. Use the "UP" and "DOWN" to turn the function on and off.
2. Use the "OK" key to change between settings.
3. Use the "UP" and "DOWN" keys to change the percentage.
4. To return a setting to default, press and hold the "OK" key for 3 seconds. Press and hold the "CANCEL" key to save.

```

===== Elevon =====
→Elevon On
  Ch1 50%
  Ch2 50%

Ch1 <= Ch2+Ch1
Ch2 <= Ch2-Ch1
    
```

5.11 V Tail

The V Tail function is used for planes that use a v tail configuration.

Setup:

1. Use the "UP" and "DOWN" to turn the function on and off.
2. Use the "OK" key to change between settings.
3. Use the "UP" and "DOWN" keys to change the percentage.
4. To return a setting to default, press and hold the "OK" key for 3 seconds. Press and hold the "CANCEL" key to save.

```

===== U tail =====
→U tail On
  Ch2 50%
  Ch4 50%

Ch2 <= Ch2-Ch4
Ch4 <= Ch2+Ch4
    
```

5.12 Assign Switches

This function enables you to assign switches to Fly mode, Idel mode, and Throttle hold.

Setup:

1. Use the "OK" key to change between settings.
2. Use the "UP" and "DOWN" keys to change switch assignment.
3. Press and hold the "CANCEL" key to save.
 - Switches must be turned on in the [7.13 Aux Switches] function to be available for assignment.

```

:Assign switches:
→Fly mode SwA
  Normal
Idle mode SwB
  Normal
Thro. hold SwD
  Off
    
```

5.13 Throttle Hold

This function is used with gas powered models in order to stop stalls when not in use.

Setup:

1. Use the "OK" key to change between settings.
 2. Use the "UP" and "DOWN" keys to turn the function on or off and increase and decrease the hold percentage.
 3. To return a setting to default, press and hold the "OK" key for 3 seconds. Press and hold the "CANCEL" key to save.
- This function will not work unless assigned to a switch. The switch can be used to enable or disable the function. Please refer to [5.12 Assign Switches] for more details on how to assign a switch to a function.
 - Switches must be turned on in the [7.13 Aux Switches] function to be available for assignment.

=Throttle hold=

**◆Hold On
Value 50%**

Inactive



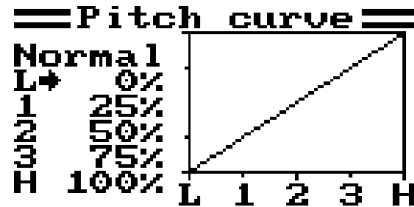
Note

- **This function must be assigned to a switch in the Switches assign function.**

6. Helicopter Functions

6.1 Pitch Curve

The pitch curve function is for programming the response of the helicopters blades collective pitch, which controls the amount of lift the helicopter has. This functions output is shown on the graph, with points along the bottom (L,1,2,3,H), and collective pitch up the side (0-100%). When the throttle stick is moved its position will be shown in real time.



Setup:

1. Use the "OK" key to cycle between points.
2. Use the "UP" and "DOWN" keys to change the percentage (All changes are shown in real time in the graph)
3. To return to default settings press and hold the "OK" key for 3 seconds, press and hold the "CANCEL" key to save.

6.2 Swashplate Mix

The swashplate mix function sets the relative movement between each servo controlling movement of the swash plate controlling aileron, elevator and pitch.

Setup:

1. Press the "OK" key to cycle through aileron, elevator and pitch.
2. Use the "UP" and "DOWN" keys to change the percentage.
3. Press and hold the "CANCEL" key to save and exit.
4. To return to default settings press and hold the "OK" key until the currently selected parameter returns to 50%,and press and hold the "CANCEL" key to save.

6.3 Gyroscope

The gyroscope function uses a gyroscope to correct for torque produced by changes in engine speed, pitch and wind etc., which can cause issues with yaw control. If not corrected each of these variables could cause the RC helicopter to spin, sometimes quite violently.

This function has 2 settings, Gryro (On/Off) and Value (%). The Mode shows the state of the Idle up function (This function needs to be assigned to a switch).

Setup:

1. Use the "OK" key to cycle between "Gyro" and "Value", select "Gyro" and press the "UP" or "DOWN" key to toggle on or off.
2. Select "Value" and up the "UP" and "DOWN" arrow keys to change the percentage.
3. To return to default settings press and hold the "OK" key until the currently selected parameter returns to 50%, and press and hold the "CANCEL" key to save.

7. System

7.1 Model Select

Use this function to select stored models, use the "UP" and "DOWN" keys to choose a model and press and hold the "CANCEL" key to save and exit. The system can store up to 20 models.

7.2 Model Name

This function renames the currently selected model.

Setup:

1. Use the "UP" and "DOWN" keys to select a letter or number, then press the "OK" key to confirm.
2. To save press and hold the "CANCEL" key.

To return to default press and hold the "OK" key for 3 seconds, press and hold the "CANCEL" key to save.

7.3 Type Select

This function changes the type of the currently selected model, including airplane and helicopter with different types of swashplates.

Helicopter swash plate type	Available functions
Swash 140°	Pitch Curve , Swashplate Mix , Gyroscope
Swash 120°	Pitch Curve , Swashplate Mix , Gyroscope
Swash 90°	Pitch Curve , Swashplate Mix , Gyroscope
Variable pitch	Pitch Curve , Gyroscope
Fixed pitch	Gyroscope

Setup:

1. To change the model type press the "UP" and "DOWN" keys to select the model type, then press and hold the "CANCEL" key to save and exit.

7.4 Model Copy

This function copies the one model to another model slot.

Setup:

1. Use the "UP" and "DOWN" keys to select the model you want to copy.
2. Use the "OK" key to and use the "UP" and "DOWN" keys to select the slot to copy the model.
3. Press and hold the "OK" key to confirm, the system will display a prompt asking "Are you sure", use the "UP" or "DOWN" key to select Yes and press "OK" again to confirm.

7.5 Model Reset

This function resets the current model to the default settings.

Setup:

1. Use the "UP" and "DOWN" keys to select a model. Press the "OK" key to confirm,.
2. The system will display a prompt asking "Are you sure", use the "UP" or "DOWN" key to select Yes and press "OK" key again to confirm.

7.6 Trainer Mode

Trainer mode is used to take control of a slave system when a switch is in the off position. This function will only work when two systems are linked via the trainer lead.

Setup (This function must be assigned to a switch and will only be inactive when the switch is on):

1. Use the "UP" and "DOWN" keys turn the function on and off.
2. Use the "OK" key to and use the "UP" and "DOWN" keys to select a switch.
3. Press and hold the "CANCEL" key to save and exit.

7.7 Student Mode

Student mode is used when another system is connected as a master (Trainer), when this mode is active all settings will be bypassed and the system will only function through the master.

Setup:

1. To enable the function press "OK" then select Yes, The system will return to the previous menu.
2. To exit student mode repeat this process.

7.8 Sticks Mode

There are 4 available stick modes, each stick mode changes the stick functions.

For example when using stick mode 2 the left stick controls throttle on the vertical axis and rudder in the horizontal axis, however in stick mode 3, the vertical axis controls elevator and the horizontal axis controls aileron. These modes are largely down to personal preference.

Setup:

1. Use the "UP" and "DOWN" keys to select a stick mode,.
2. Press and hold the "CANCEL" key to save and exit.
3. To return to default settings press and hold the "OK" key for 3 seconds,press and hold the "CANCEL" key to save.

7.9 LCD Brightness

Setup:

1. Use the "UP" and "DOWN" keys.
2. Press and hold "CANCEL" to save and exit.
3. To return to default settings press and hold the "OK" key for 3 seconds,press and hold the "CANCEL" key to save.

7.10 Firmware Ver.

This function displays the current firmware version.

7.11 Firmware Update

This function updates the firmware using a USB to PS/2 connection lead.

Setup:

1. First download the update from our website,<http://www.flysky-cn.com>.
2. Connect the system to the computer via the supplied cable and press "OK" while in this function.
3. Wait for windows to recognise the system.

4. Then open the update on the computer and press update.
5. Once the update is finished cycle the system power.

7.12 Factory Reset

This function resets the entire system back to its factory settings.

To reset press "OK", then use the "UP" and "DOWN" keys to select Yes and press 'OK" again.

7.13 Aux Switches

This function both activates and deactivates switches/knobs as well as changing the amount of active channels the system will use. This is usually done when a new switch or knob has been.

Setup:

1. Use the "OK" key to cycle through the selection of switches and knobs.
2. Use the "UP" and "DOWN" keys to turn the selected switch/knob on or off.
3. Keep pressing the "OK" key until "Ch" is selected.
4. Use the "UP" and "DOWN" keys to change the amount of active channels to match your current configuration.
5. To return to default settings press and hold the "OK" key for 3 seconds, press and hold the "CANCEL" key to save.

8 RX Setup

8.1 RF Standard

This menu allows you to change the communication protocol for the transmitter. The available protocols are:

RF Protocol	Receiver
AFHDS	R9B,R6B,R6C,GR3E,GR3F
AFHDS 2A	A3, A6,X6, iA4B, iA6, iA6B, iA10, iA10B

To Switching Between AFHDS 2A and AFHDS:

1. First navigate to the system menu by pressing and holding the "OK" key until the main menu opens, select "System Setup" by pressing the "OK" key again.
2. Use the "DOWN" key to navigate to "RX setup" and press the "OK" key again to enter, then press the "OK" key one more time to select RF Standard.
3. The system will display a prompt asking if you are sure, use the "UP" or "DOWN" key to select yes and press "OK".
4. Then use the "UP" or "DOWN" key to select the desired RF standard and press and hold the "CANCEL" key for until the system returns to the previous menu to save.
5. Use the "UP" and "DOWN" keys to select a mode then press and hold the "CANCEL" key to save and exit.

8.2 RX Battery

This function is used to change the battery monitor settings. This function can be switch to an external or internal sensor.

There are 4 settings:

[External sensor/ Internal Sensor]: The system has its own voltage sensor however it is possible to change to an external sensor.

[Low]: Sets the low battery voltage, see your batteries user manual to set this setting.

[Alarm]: Sets the voltage level at which the system will alert the user if the battery gets too low.

[High]: Sets the voltage for the battery if it is full.



Note

- **These settings affect how the system shows battery levels, if the high and low are incorrect the systems battery display will not be reliable.**

8.3 Failsafe

This function is used to protect the models and users if the receiver loses signal and therefore is no longer controllable.

All channels are listed in the failsafe menu. [Off] means that in case of a loss of signal, the corresponding servo will keep its last received position. If it displays a percentage, the servo will instead move to the selected position.

Setup:

1. Use the "UP" and "DOWN" to choose a channel and press "OK" to enter its failsafe settings.
2. Use the "UP" and "DOWN" to turn the failsafe on or off.
3. Move the channels control surface to the desired position and hold the "CANCEL" key to confirm and exit.

4. To return to default settings press and hold the "OK" key for 3 seconds, use the "UP" and "DOWN" keys to select Yes. press and hold the "CANCEL" key to save.

You can set the failsafe position for all channels with the [All channels] button at once. To do so,

1. Move all your channels to the desired position.
 2. Select [All channels].
- Once the failsafe has been set, a percentage will be displayed.

8.4 Sensors List

This function displays all connected sensors and their outputs.

8.5 Choose Sensors

This function changes which sensors will be displayed on the home screen. The home screen can display up to 3 sensors.

Setup:

1. To add a sensor to the home screen, use the "OK" key to change sensor slot, then use the "UP" and "DOWN" keys to select a sensor.
2. To return to default settings press and hold the "OK" key for 3 seconds, Press and hold the "CANCEL" key to save and exit.

8.6 Speed and Distance

This function is for setting up speed and distance sensors.

Speed Sensor

If a sensor is connected, use the "UP" and "DOWN" arrow keys to select the desired sensor then press and hold the "CANCEL" key to save.

Rotation Length

Measure the distance from the center of the prop to the distance sensor. Then use the "UP" and "DOWN" arrow keys to enter the length. Press and hold the "CANCEL" key to save.

Reset Odometer 1 + 2

These settings return the odometer to 0. To reset select one, odometer 1 or 2, then press "OK". The system will display a prompt, select yes.

Reset odometer 1

Resets odometer 1 to 0. Odometer 1 records the distance traveled during a session. Note that restarting the system will also reset odometer 1.

Reset odometer 2

Resets odometer 2 to 0. Odometer 2 records the total distance traveled since last reset. This means that the distance over several sessions will be added together.

8.7 ASL Pressure

The set ASL (Above Sea Level) function is used to calibrate an altitude sensor. When an altitude sensor is connected, change the [Air pressure] setting until the altitude is at 0m.

Setup:

1. Make sure that your TX and RX are bound and turned on.
2. Set your model on the ground.
3. Use the "UP" and "DOWN" keys to change the hPa value. If the system is showing a positive altitude, reduce the hPa value until the altitude reaches 0m. If the system is showing a negative altitude increase the hPa value until it reaches 0m.
4. To return to default settings press and hold the "OK" key for 3 seconds, press and hold the "CANCEL" key to save.

Note: Make sure that your model is at ground level during this process.

8.8 Output Mode

PPM is capable of transferring all channels through one physical output. When [RX PPM output] is checked:

- When [PWM] is selected the receiver will output channels 1-6 via channel 1-6.
- When [PPM] is selected the receiver will output a standard PPM signal via the PPM interface.

To turn the function on press the "UP" or "DOWN" keys to turn the function on then press and hold the "CANCEL" key to save and exit.

8.9 i-BUS Setup

This function is used to set up the i-BUS module. The i-BUS module can be used to add servos to your model that may be too far away from the receiver.

Setup:

1. Use the "UP" and "DOWN" keys to choose a channel and press "OK".
2. Press the button on the i-BUS module that corresponds to the desired output, the system will then return to the previous menu.
3. After setting up the desired channels press and hold the "CANCEL" key to save and exit.

8.10 Servos Freq

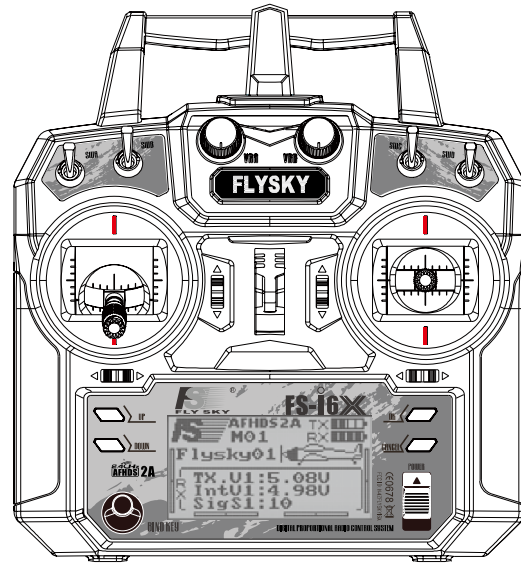
This function sets the frequency that the receiver outputs to the servos. Check your servos usermanual to find the correct setting.

9. System Customization

The FS-i6X's switches and knobs can be moved to other channels. Or if using receivers with more channels, the system can be expanded with extra switches or knobs.

By default, from left to right, the knobs are channels 5 and 6, the switches are 7, 8, 9 and 10.

FS-A6/FS-iA6B/FS-iA6	6CH
FS-iA10B	6-10CH



9.1 Switching Channel Assignments

To change a switch or knobs channel, the system must be taken apart. The first step is taking the back cover off.

1. Remove any batteries from the system and replace the battery cover.
2. Remove the screws marked in green.



Note

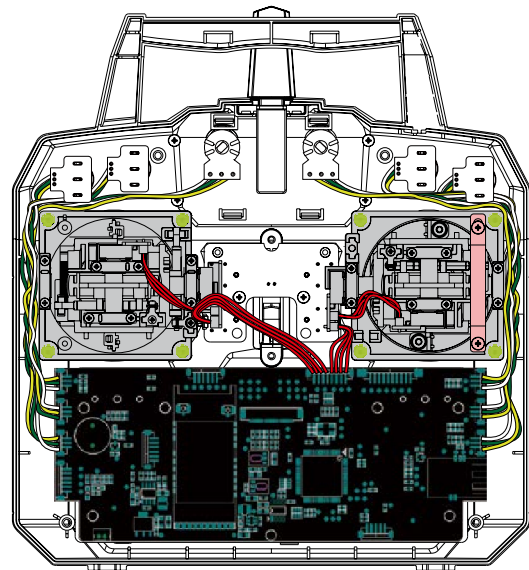
- **Make sure the screw driver you are using is not too big or too small. Failure to do so could damage the head of the screw.**

3. Carefully pry the front and back apart, this may take some force.



Note

- **Don't pull the pieces too far apart, doing so could damage cables attaching the front and back together.**



4. Carefully disconnect the cables connecting the front to the back.



Note

- **Make sure you keep the screws in a safe place.**



Note

- **Make sure that the wires are fitted along beside each of the gimbals as show right.**



Note

- **Make sure that all switches are installed with the correct orientation shown right.**

5. On the circuit board each channel is labled, making it easy to find the correct channel. Follow the cables leading from each connector to identify which switch or knob goes to each channel.
6. Carefully remove the desired connectors from the board.



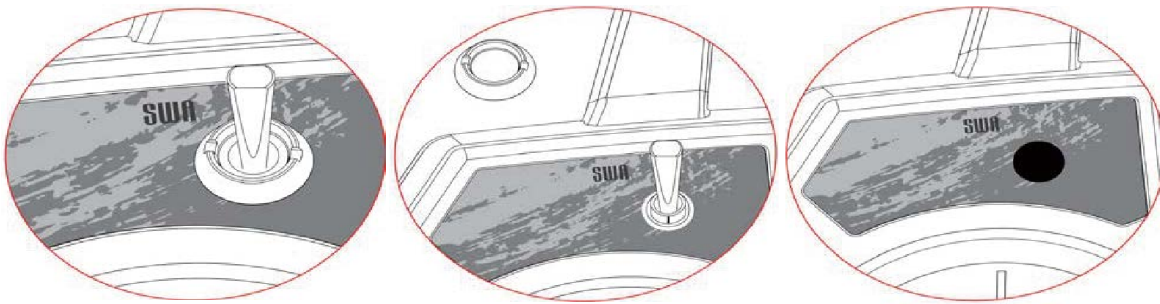
Note

- **Do not pull on the wires themselves, doing so may damage the connector or wire.**

7. Replace the desired switch/knob connectors into the corresponding channel slot.

Setup:

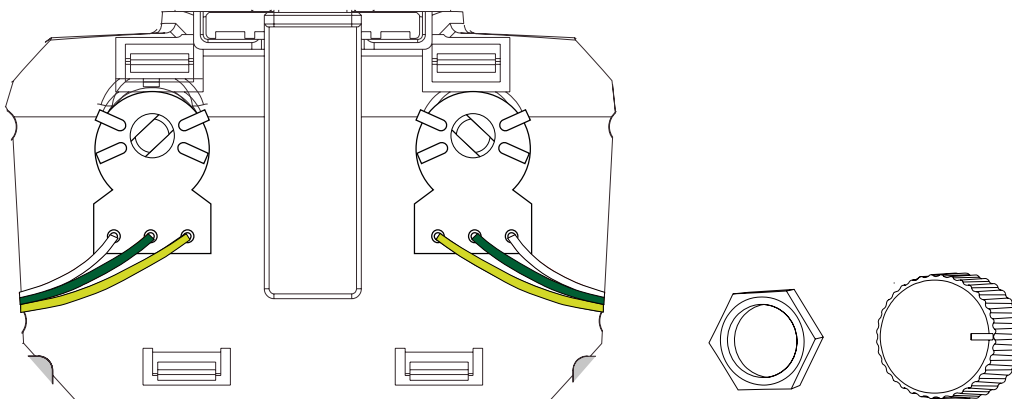
1. Take the transmitter apart following the above instructions.
2. Remove the toggles connector from the circuit board.
3. Unscrew the plate holding the toggle in place on the front of the transmitter.



Removing a knob:

Remove the pot cover by slowly pulling on it, it should come off without much effort.

1. Remove the 4 screws located on the back of the system and remove the back cover.
2. Follow the knobs wire and disconnect it form the board.
3. Gently remove the knob cap by pulling it up.
4. Remove the nut holding the knob in place.
5. Remove knob.



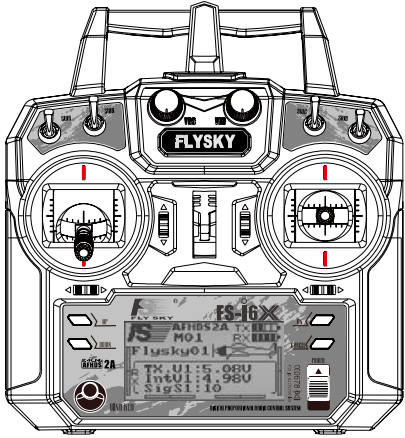
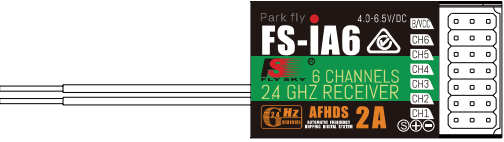

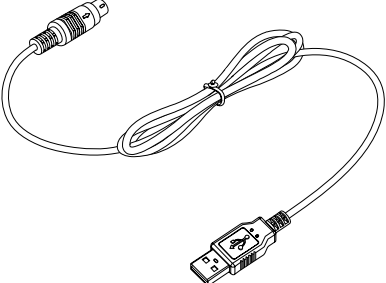
8. Put the back cover back in place, and squeeze the handle until the two pieces click together.
9. Replace the cover screws.

9.2 Activate Switch/Knob

Open the system menu, navigate to "Aux Switches" and press the "OK" key. Use the "OK" key to change switch/knob, then use the "UP" or "DOWN" keys to turn the switch on.

The switch will now be available in the "Assign Switches" menu.

10.Package Contents

<p>4-10 Channel 2.4GHz Transmitter (FS-i6X)</p>	
<p>2.4GHz Receiver (FS-IA6 (6 CH))</p>	
<p>User Manual (CD)</p>	
<p>PS/2 to USB Update Cable</p>	

11 Product Specification

11.1 Transmitter specification (FS-i6X)

Channels	6-10 (Default 6)
Model Type	Fixed-Wing/Glider/HELICOPTER
RF Range	2.408-2.475GHz
RF power	< 20dBm
RF Channel	135
Bandwidth	500KHz
2.4GHz System	AFHDS 2A / AFDHS
Modulation Type	GFSK
Stick Resolution	4096
Low Voltage Warning	< 4.2V
DSC port	PS/2 Port PPM
Chargeable	No
Antenna Length	26mm(Dual Antenna)
Weight	392 g
Power	6V DC 1.5AA*4
Display	STNTransflective Display ,LCD128x64 Lattice , VA 73x 39mm , LCD with white backlight
Size	174x89x190mm
On-line Update	Yes
Color	Black
Certificate	CE0678 , FCC ID:N4ZFLYSKYI6X

11.2 Receiver specification (FS-iA6)

Channels	6
Model Type	Fixed-Wing/Glider/HELICOPTER
RF Range	2.408-2.475GHz
RF Channel	135
RF Receiver Sensitivity	- 105dBm
Bandwidth	500KHz
2.4GHz System	AFHDS 2A
Modulation Type	GFSK
Power	4.0~6.5V DC
Antenna Length	26mm(Dual Antenna)
Weight	7g
Size	40.4x21.1x15mm
i-BUS Port	No
Data Acquisition Port	No
Color	Black
Certificate	CE0678 , FCC ID:N4ZFLYSKYIA6

Appendix 1 FCC Statement

This equipment has been tested and found to comply with the limits for a Class B digital device pursuant to part 15 of the FCC rules. These limits are designed to provide reasonable protection against harmful interference in a residential installation. This equipment generates, uses and can radiate radio frequency energy and, if not installed and used in accordance with the instructions, may cause harmful interference to radio communications. However, there is no guarantee that interference will not occur in a particular installation. If this equipment does cause harmful interference to radio or television reception, which can be determined by turning the equipment off and on, the user is encouraged to try to correct the interference by one or more of the following measures:

- Reorient or relocate the receiving antenna.
- Increase the separation between the equipment and receiver.
- Connect the equipment into an outlet on a circuit different from that to which the receiver is connected.
- Consult the dealer or an experienced radio/TV technician for help.

To assure continued compliance, any changes or modifications not expressly approved by the party responsible for compliance could void the user's authority to operate this equipment. (Example use only shielded interface cables when connecting to computer or peripheral devices).

This equipment complies with Part 15 of the FCC Rules. Operation is subject to the following two conditions:

- (1) This device may not cause harmful interference, and
- (2) This device must accept any interference received, including interference that may cause undesired operation.

Caution!

The manufacturer is not responsible for any radio or TV interference caused by unauthorized modifications to this equipment. Such modifications could void the user authority to operate the equipment.



Digital Proportional Radio Control System

CE 0678 FCC ID:N4ZFLYSKYI6X

<http://www.flysky-cn.com>

Copyright ©2016 Flysky RC model technology co., Ltd

Edition: 2016-08-17