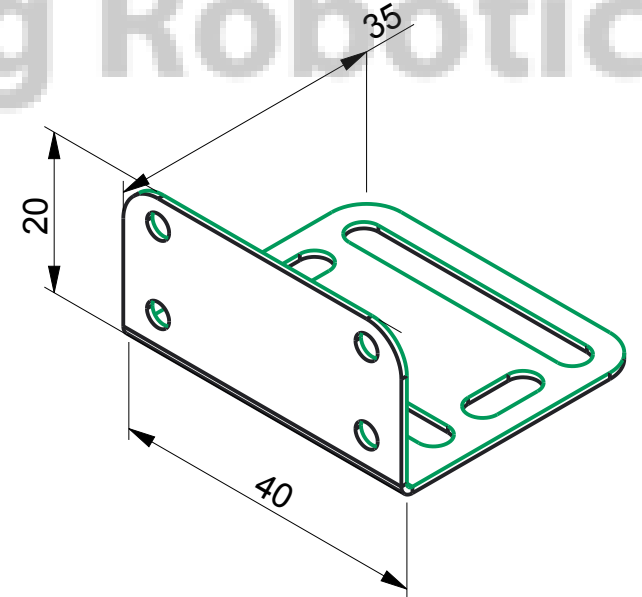
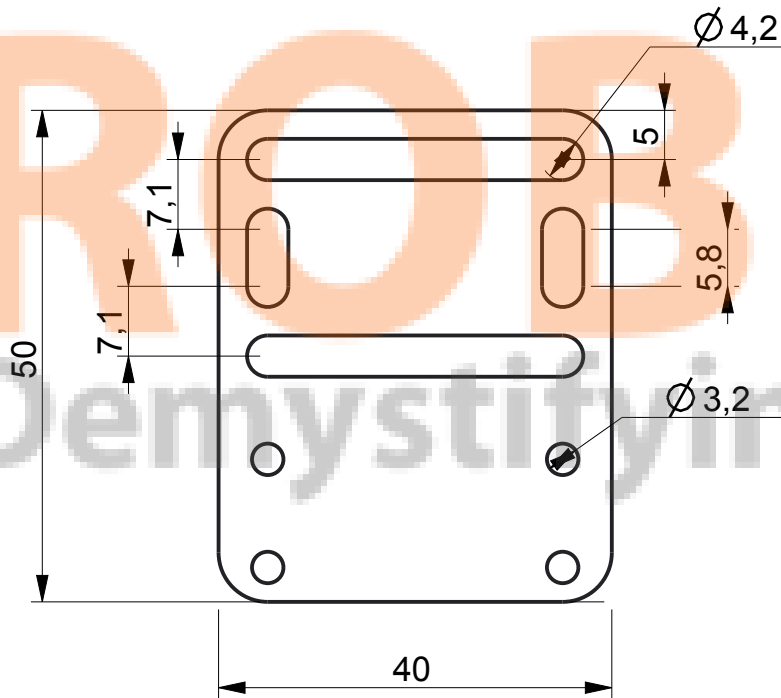
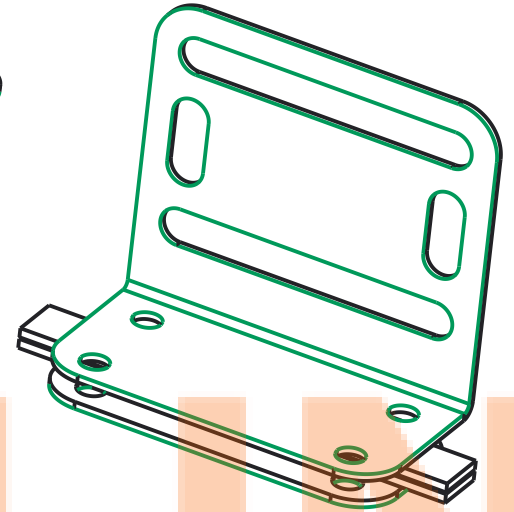
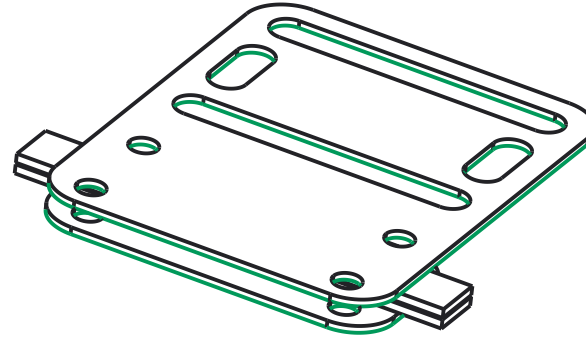
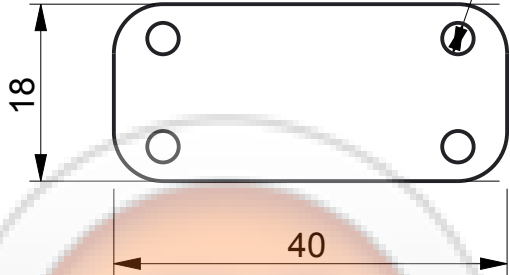


4 HOLES, $\varnothing 3,2$



TITLE-GT-2 BELT COUPLING	
PART NO.	ROBU.IN(PUNE)
SCALE-1;1	DATE-
ALL DIMENSIONS ARE IN MM	