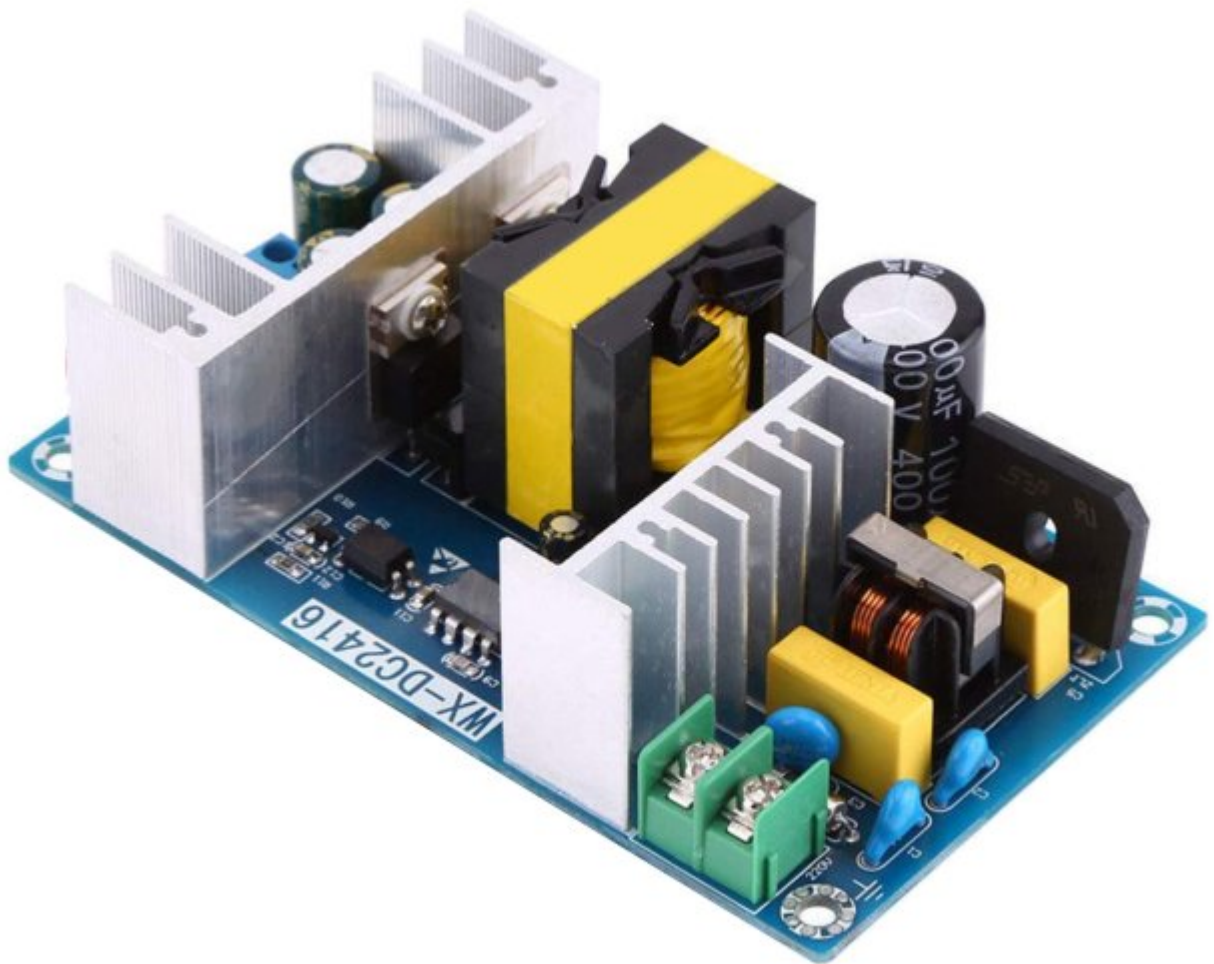


REV C - WX-DC2416

REV D - AC-DC2416

## XX-DC2416 OPEN FRAME POWER SUPPLY

- ▶ AC IN 85 - 265V
- ▶ DC OUT 24V 6A
- ▶ RATED 150W



REV C - WX-DC2416

REV D - AC-DC2416



# XX-DC2416

## SPECIFICATIONS

Absolute Maximum Ratings	
Model	XX-DC2416 (REV C - WX-DC2416) (REV D - AC-DC2416)
AC input Range	85-265VAC
Freq Range	47-63Hz
Output Voltage	24V DC +/- 5%
Max Output Current	4-6A (Peak 6A, Nominal 5.5A)
Rated Power	140W (Max 150W)
Load regulation	+/- 1%
Line regulation	+/- 1%
Regulation (Ripple)	170mV p-p
Efficiency	82%
Response Time	<50ms
Humidity	20 ~ 90% RH non-condensing
Air Temperature	-5 ...40 °C (with rated power derating 5 W per °C)
Dimensions	114.8 x 65.5 x 35.2
Protection	Overvoltage, Overcurrent, Short circuit

REV C - WX-DC2416

REV D - AC-DC2416



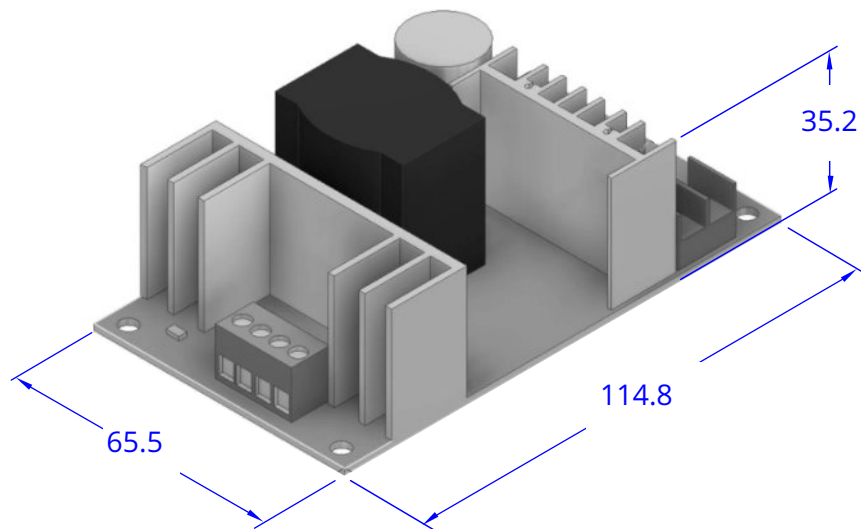
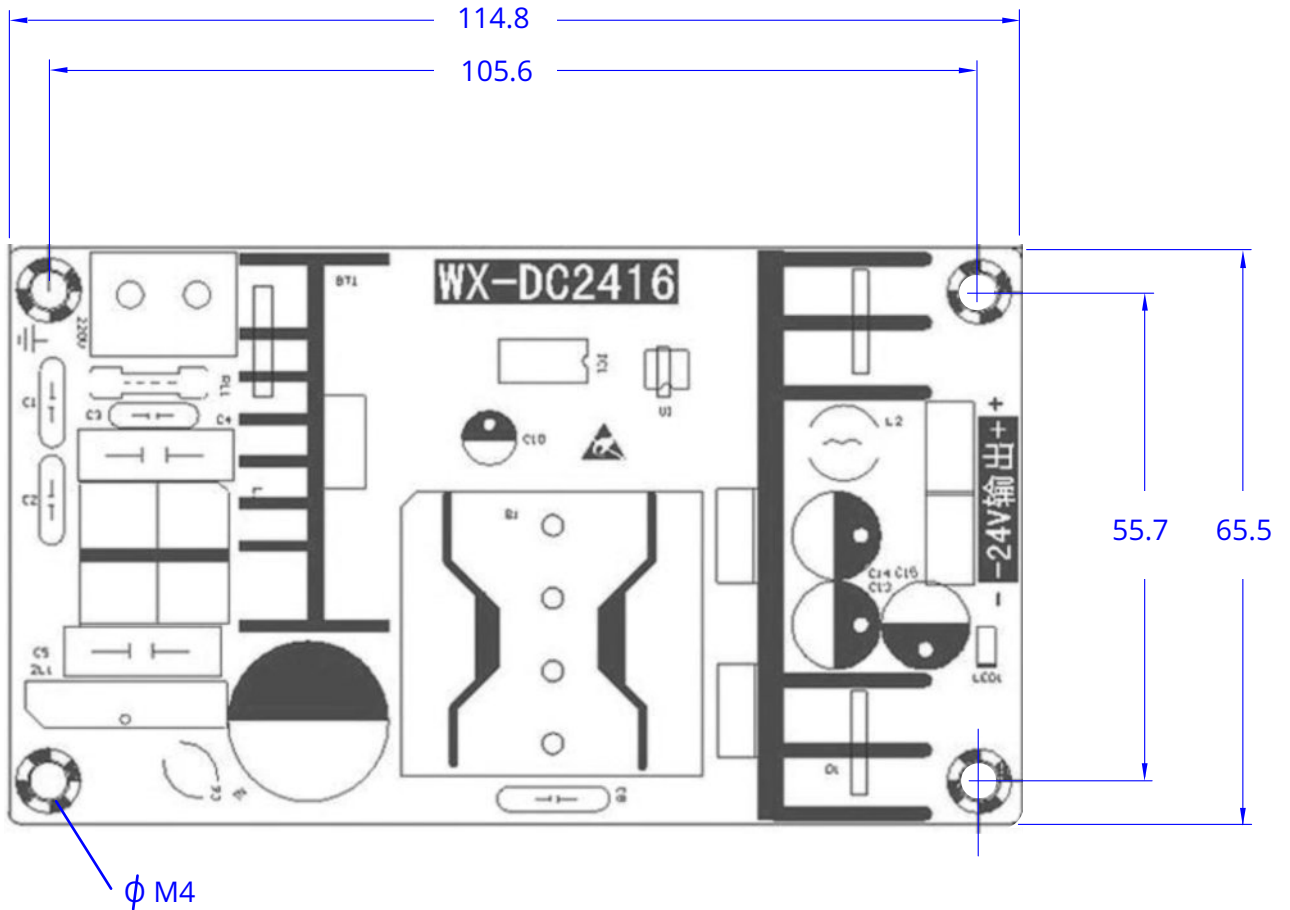
WX-DC2416

# DIMENSIONS

# XX-DC2416

REV C / D

115mm X 66mm X 35mm



WX-DC2416

# WX-DC2416

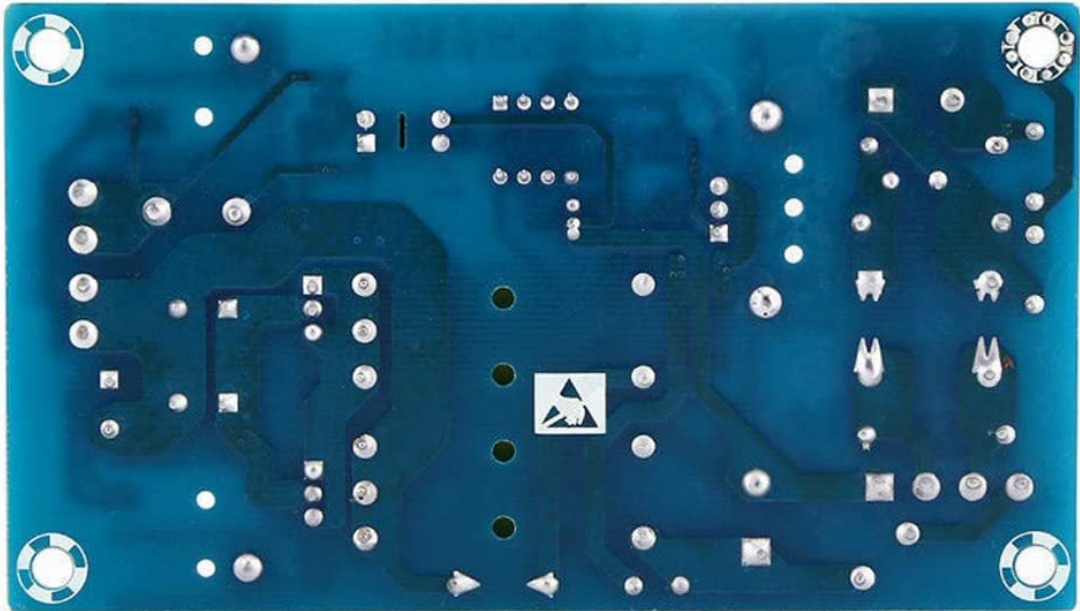
REV C

## BOARD LAYOUT REV C

AC 220V



- DC +



\* Difference between Rev C and D is the 24V DC Connector



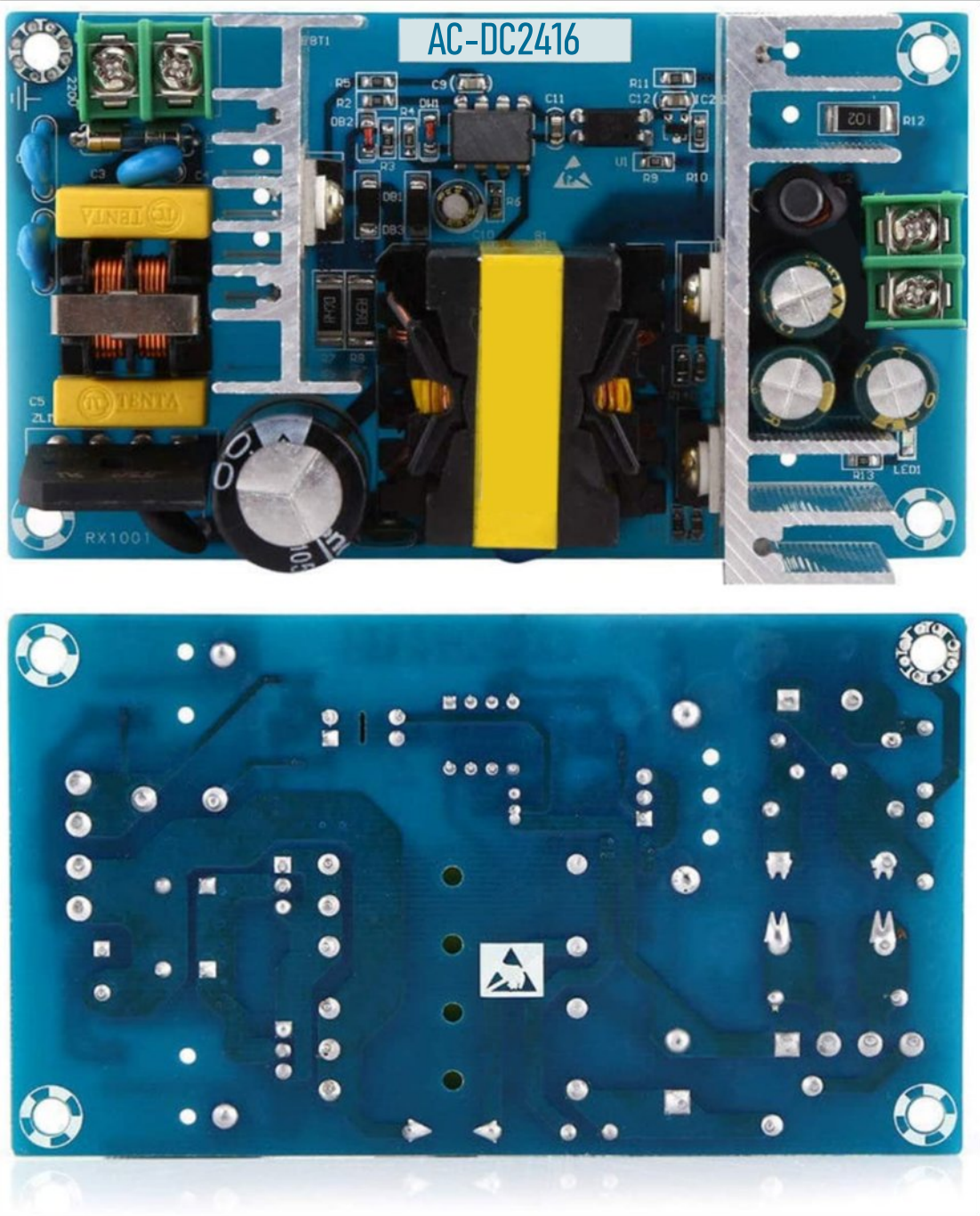
WX-DC2416

# AC-DC2416

REV D

## BOARD LAYOUT REV D

AC 220V



\* Differece between Rev C and D is the 24V DC Connector



# XX-DC2416

REV C & D

## PACKAGING

