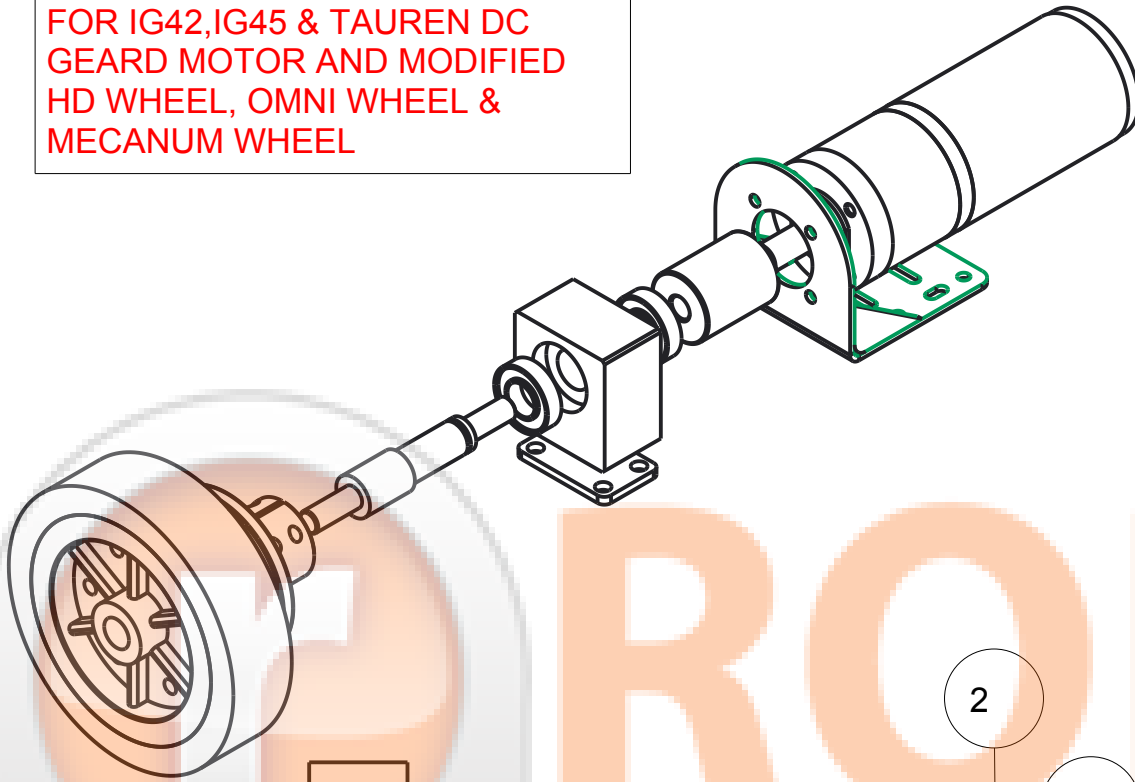
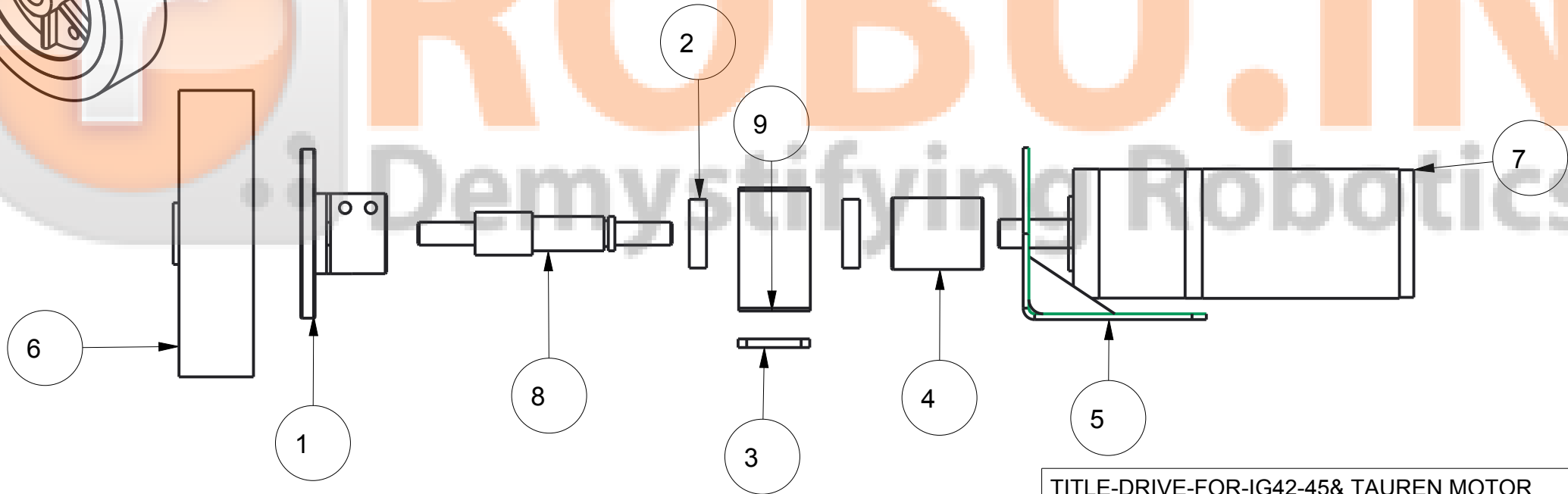


NOTE-DRIVE ARRENGEMENT FOR IG42,IG45 & TAUREN DC GEARD MOTOR AND MODIFIED HD WHEEL, OMNI WHEEL & MECANUM WHEEL



ITEM NO	PART NUMBER	QTY
1	ANTISLIP_COUPLING_8MM	1
2	BEARING	2
3	BH-SPACER-PLATE	1
4	FLEXIBLE-COUPLING-8X8	1
5	IG42-45-TAUREN-MOTOR-BRACKET	1
6	MODIFIED-HD-WHEEL	1
7	MOTOR	1
8	MS-SHAFT	1
9	UNIVERSAL-BEARING-HOUSING	1



TITLE-DRIVE-FOR-IG42-45& TAUREN MOTOR

PARTNO. **ROBU.IN(PUNE)**

SCALE-1:1 DATE-

ALL DIMENSIONS ARE IN MM