

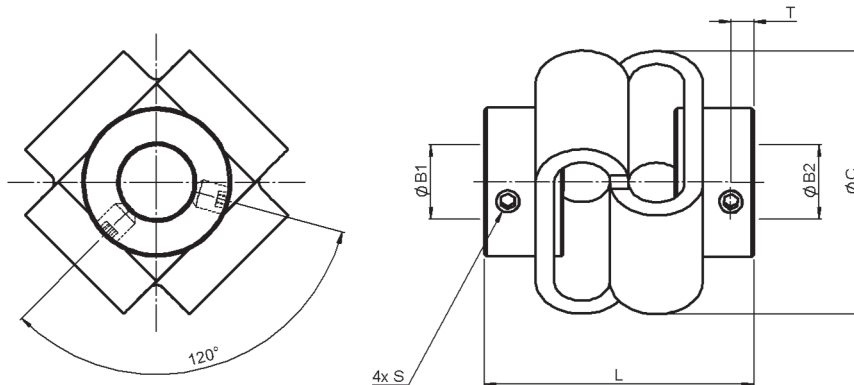


RDKPS Double Loop Shaft Couplings

A cost effective and efficient rotary motion transfer solution for mechanical design engineers.



RoHS Compliant



Part number selection table

Part Number	Coupling Material		Bore H8 ØB1	Bore H8 ØB2	O/D ØC	Length L	Screw Position T	Screw Supplied S
	Hub	Connecting Element						
RDKPS-2928-04-04	Zinc Plated Steel	Polyurethane	4	4	29 ±1.0	29 ±1.5	2.5	M3x4
RDKPS-2928-06-06			6	6				
RDKPS-2928-08-08			8	8				
RDKPS-2928-10-10			10	10				
RDKPS-3835-06-06	Zinc Plated Steel	Polyurethane	6	6	38 ±1.0	35 ±2.0	2.75	M4x6
RDKPS-3835-08-08			8	8				
RDKPS-3835-10-10			10	10				
RDKPS-3835-12-12			12	12				

* Screw to DIN 916

Technical specification:

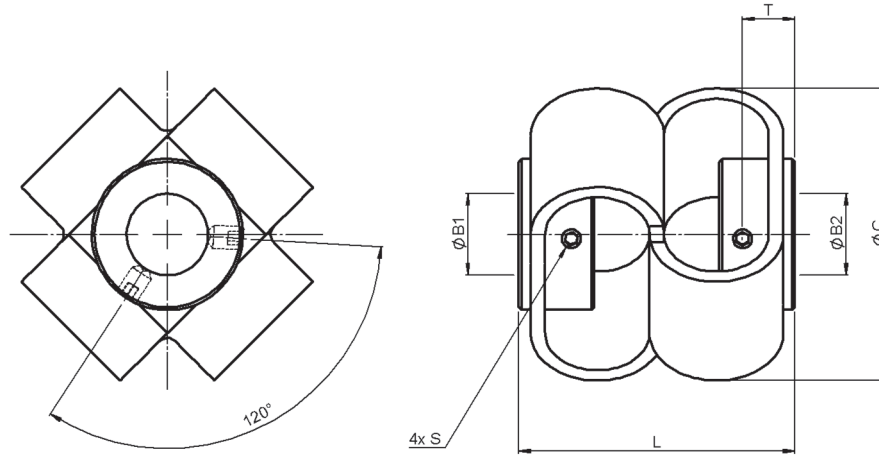
Size Ref	Max Speed min ⁻¹	Max Torque Nm	Misalignment			Torsional Stiffness Nm/rad	Radial Stiffness N/mm	Moment of Inertia gcm ²	Screw Clamping Torque Ncm	Temperature Range °C	Approx Weight g
			Radial mm	Axial mm	Angular deg						
RDKPS-2928	3,000	0.5	±2.0	±2.0	±10	13	13	41	100	-30 to +80	33
RDKPS-3835		1.5	±2.5	±3.0	±10	25	15	104	200		48

Contact us for product information, design support and custom solutions

sales@reliance.co.uk

+44 (0) 1484 601002

www.reliance.co.uk



Part number selection table

Part Number	Coupling Material		Bore ØB1	Bore ØB2	O/D ØC	Length L	Screw Position T	Screw Supplied S
	Hub	Connecting Element						
RDKPS-4848-08-08 RDKPS-4848-10-10 RDKPS-4848-12-12 RDKPS-4848-14-14	Zinc Plated Steel	Polyurethane	8 10 12 14	8 10 12 14	48 ±1.0	46 ±2.0	9.0	M4x6
RDKPS-5658-10-10 RDKPS-5658-12-12 RDKPS-5658-14-14 RDKPS-5658-16-16 RDKPS-5658-18-18 RDKPS-5658-19-19	Zinc Plated Steel	Polyurethane	10 12 14 16 18 19	10 12 14 16 18 19	58 ±1.0	56 ±2.0	11.0	M5x6

* Screw to DIN 916

Technical specification:

Size Ref	Max Speed min ⁻¹	Max Torque Nm	Misalignment			Torsional Stiffness Nm/rad	Radial Stiffness N/mm	Moment of Inertia gcm ²	Screw Clamping Torque Ncm	Temperature Range °C	Approx Weight g
			Radial mm	Axial mm	Angular deg						
RDKPS-4848	3,000	2.0	±3.0	±4.0	±12	28	7	106	100	-30 to +80	85
RDKPS-5658		5.0	±5.0	±5.0	±15	43	9	220	300		140


i Features and options

- Alternative bore size combinations available
- Imperial bores available
- Keyways available on bores 6mm and above

? Technical support

- Corrosion protection
- Damping of vibration and shock
- Good compensation of radial, lateral and angular offsets
- Maintenance free
- Recommended temperature range -30°C to 80°C
- Good resistance to petrol, oil, benzene, toluene, aromatic and non-aromatic hydrocarbons, alcohols, glycols, solvents and many chemicals.
- Supplied screw manufactured to DIN 916



 Reliance Precision Limited	Reliance Precision Limited Rowley Mills Penistone Road, Lepton, Huddersfield, HD8 0LE, England. Tel : +44 (0) 1484 601002 Fax : +44 (0) 1484 601001 www.reliance.co.uk sales@reliance.co.uk	Reliance Precision France 33 rue Jean Racine, 11000 Carcassonne, France Tel : +33 (0) 468 470589 Fax : +33 (0) 468 471772 www.relianceprecision.fr ph@reliance.co.uk	Reliance Precision Holland Florijnstraat 20, 4879 AH Eitten - Leur, The Netherlands Tel : +31 (0) 76 5040790 Fax : +31 (0) 76 5040791 www.relianceprecision.nl jb@reliance.co.uk
--	--	--	--