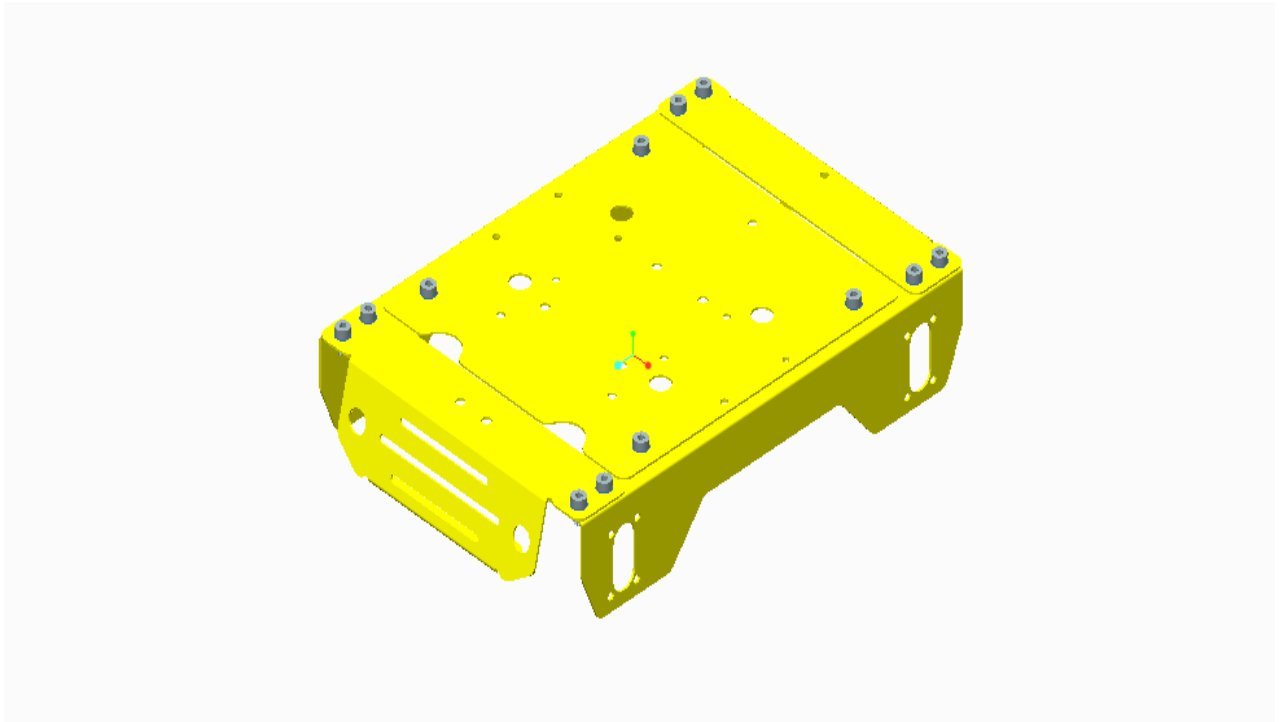




## **EASYMECH WARRIOR CHASSIS ASSEMBLY GUIDE**



**Design & Execution**

**MACFOS (Pune)**

**SERVICES**

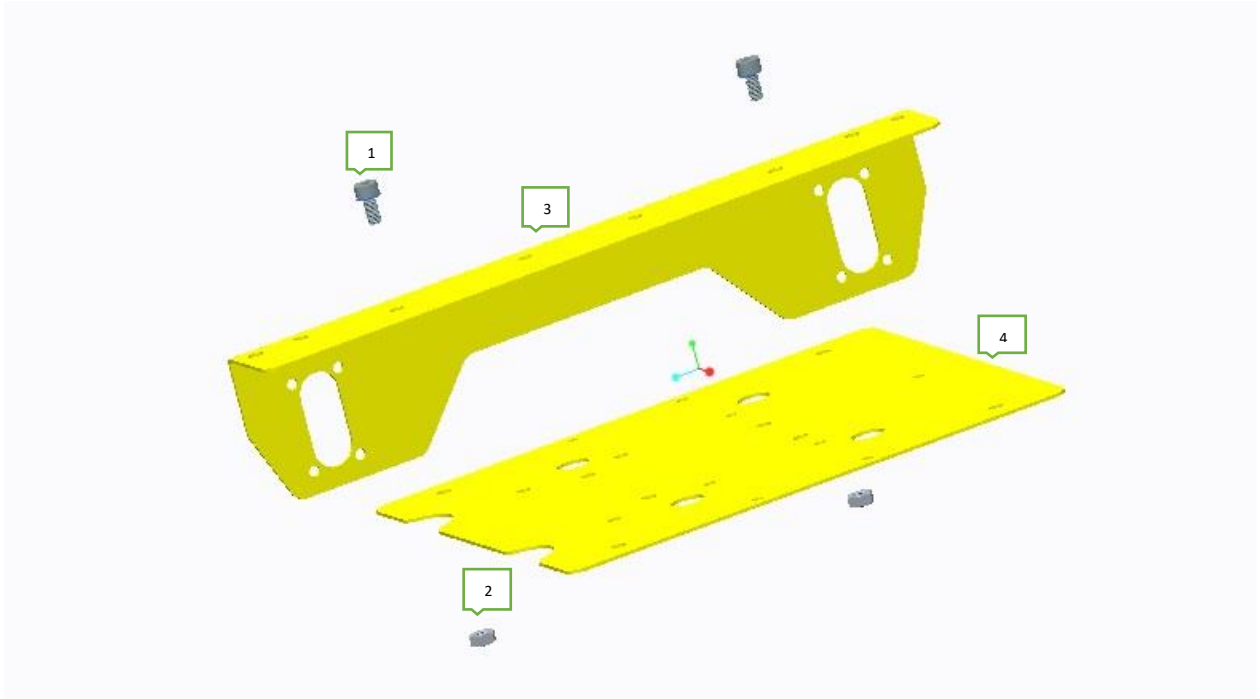
[info@robu.in](mailto:info@robu.in)

**WEBSITE**

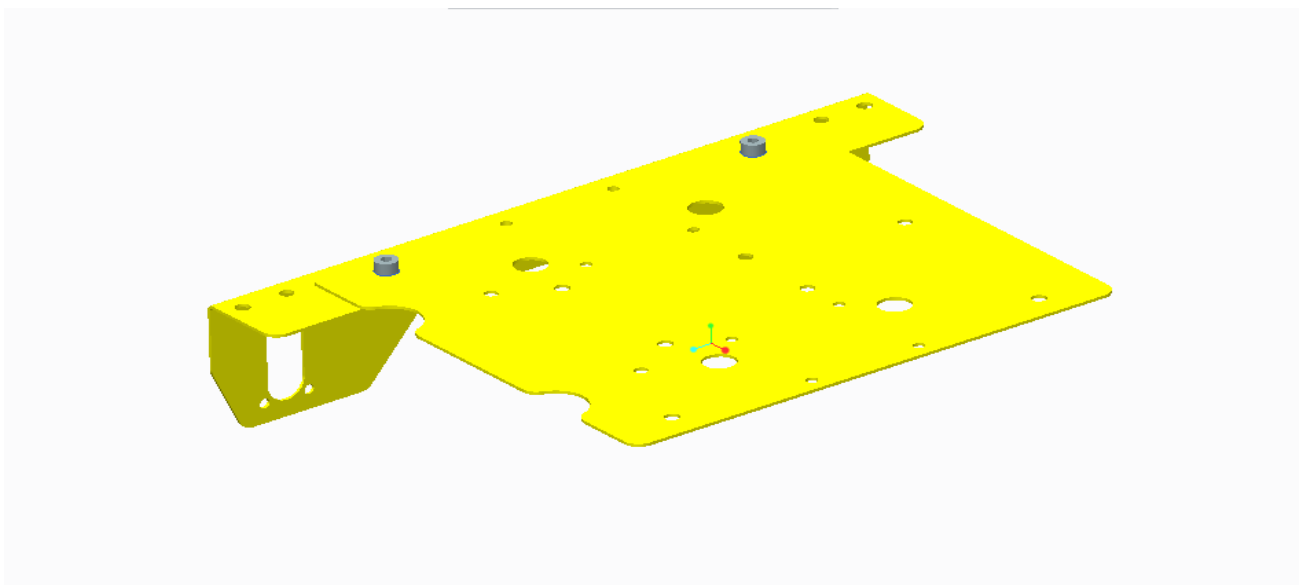
[www.robu.in](http://www.robu.in)



## STEP 1

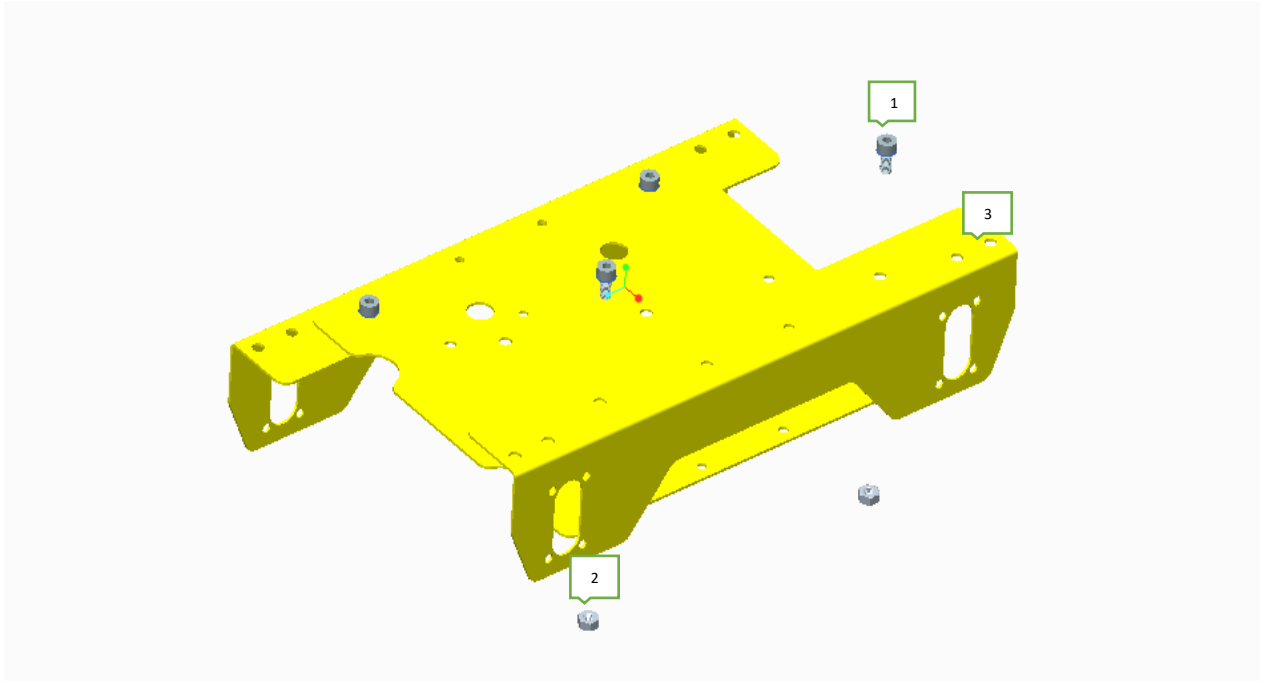


1. (4X) M4 X 8 MM ALLEN BOLT
2. (4X) M4 HEX NUT
3. SIDE PLATE 1
4. TOP PLATE

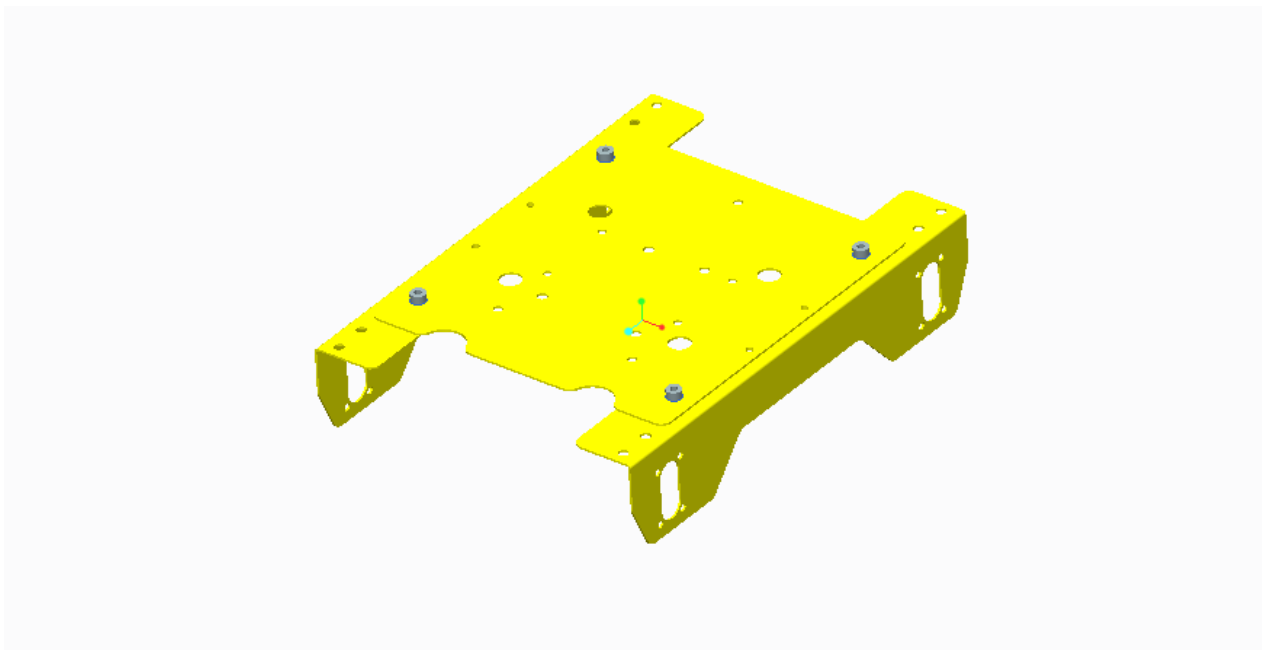




## STEP 2

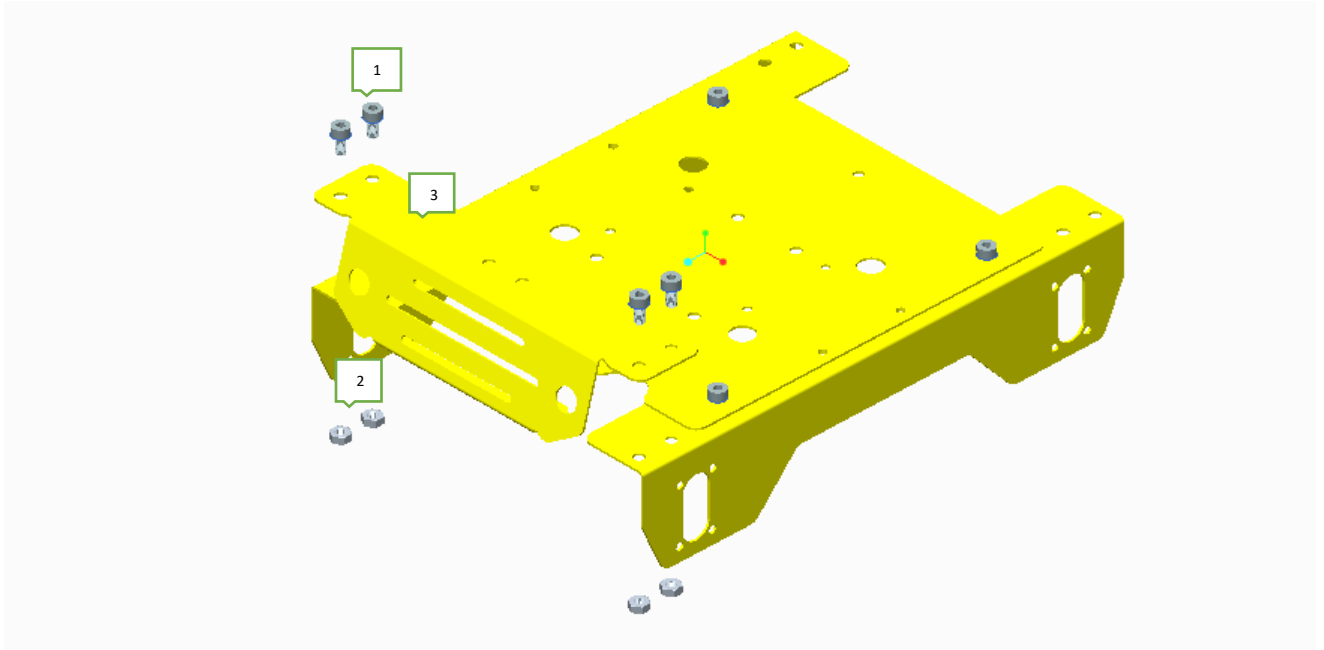


1. (4X) M4 X 8 MM ALLEN BOLT
2. (4X) M4 HEX NUT
3. SIDE PLATE 2

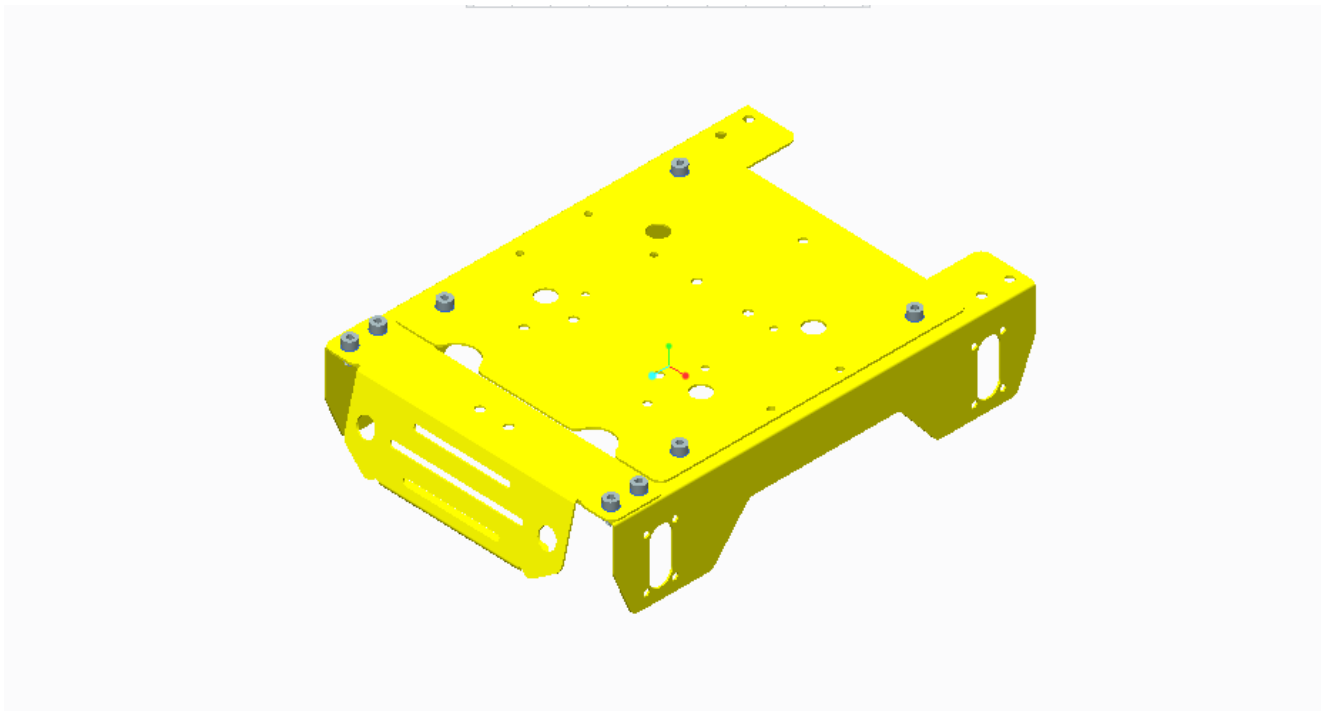




## STEP 3

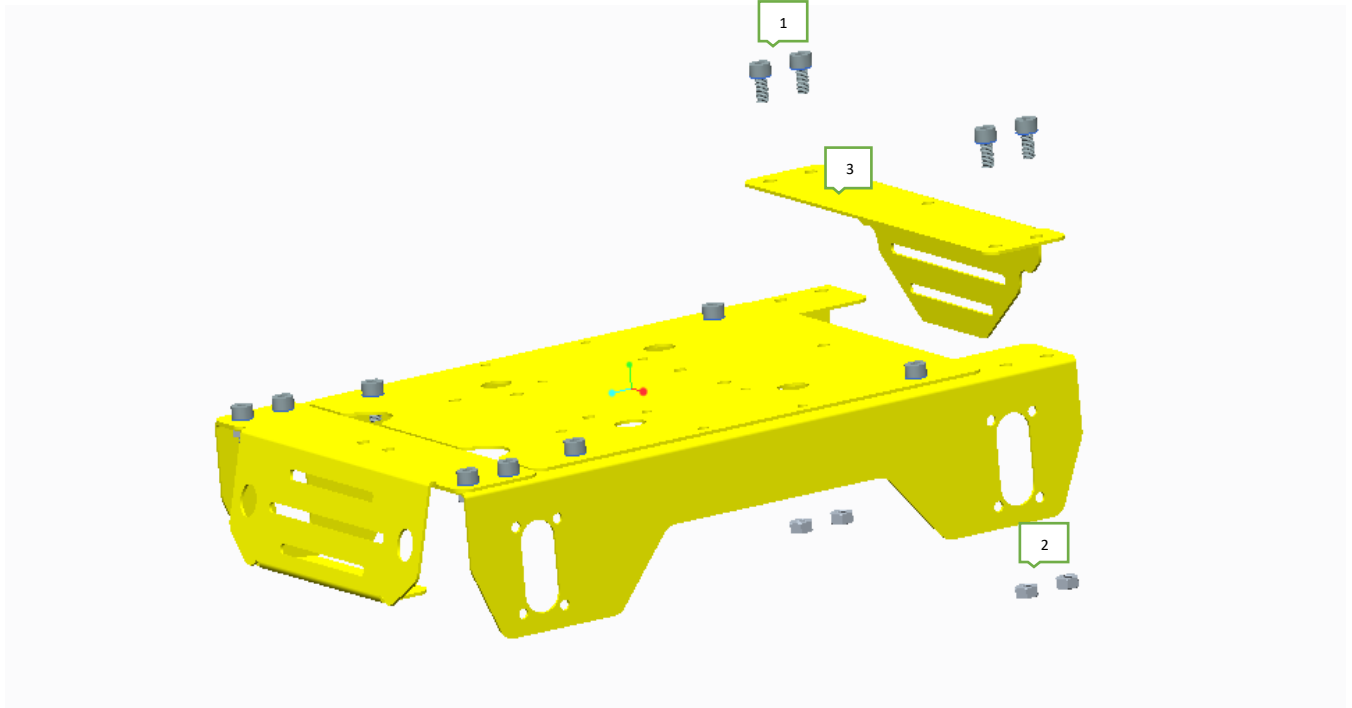


1. (8X) M4 X 8 MM ALLEN BOLT
2. (8X) M4 HEX NUT
3. FRONT PLATE





## STEP 4



1. (8X) M4 X 8 MM ALLEN BOLT

2. (8X) M4 HEX NUT

3. BACK PLATE

