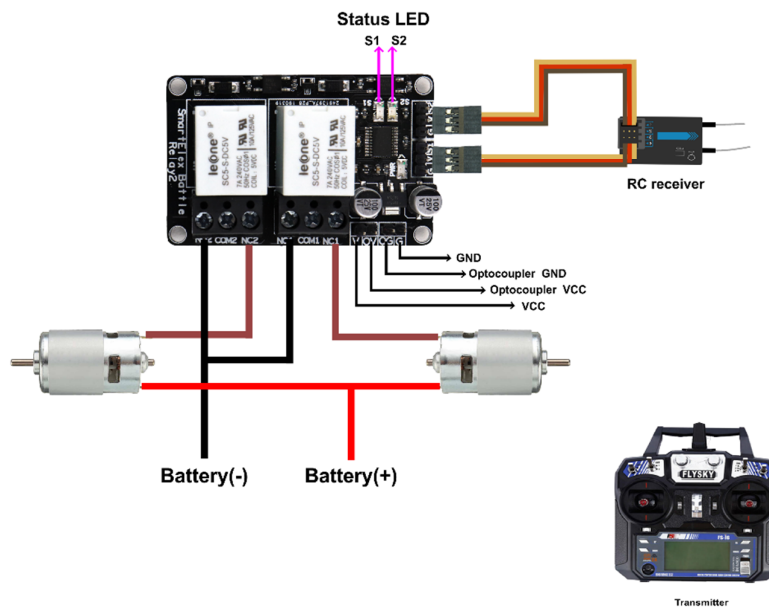




SmartElex Dual Battle Relay Quick Start Guide



SmartElex Dual Battle Relay



Switch OFF

(1.0 ms < RC Signal < 1.4ms)



Switch ON

(1.6ms < RC Signal < 2.0 ms)



Status LED

- If LED flashing means no RC Signal
- If LED ON=Relay ON
- If LED OFF=Relay OFF

Power LED

- indicate Battle Relay Powered ON

Specification :

- Max current and voltage: 10A @ 125VAC
7A @ 240VAC
- Relay resistance: 100 mΩ max.
- 4.8V to 5.2V operating voltage.
- 40mA typical draw from the receiver.

How to Use

Plug in SmartElex Battle Relay into standard radio control receiver by using servo cable. Load that you want to toggle using SmartElex Battle Relay wear-resistant screw terminals. Depending on the channel you use, you will then be able to control the relay by moving your radio's control stick up or down, left or right.