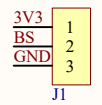
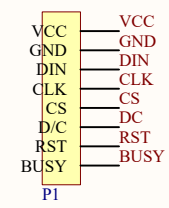
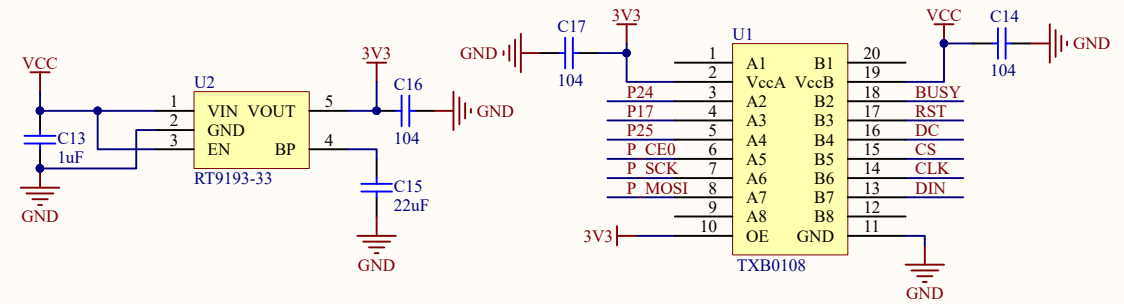


A (R1)	B (R2)
1.54inch	1.54inch (B)
2.13inch	2.13inch (B)
2.9inch	2.7inch
	2.9inch (B)
	4.2inch
	4.2inch (B)
	7.5inch
	7.5inch (B)



BS	VCC	GND
Interface	3-line SPI	4-line SPI



  
**e-Paper HAT**