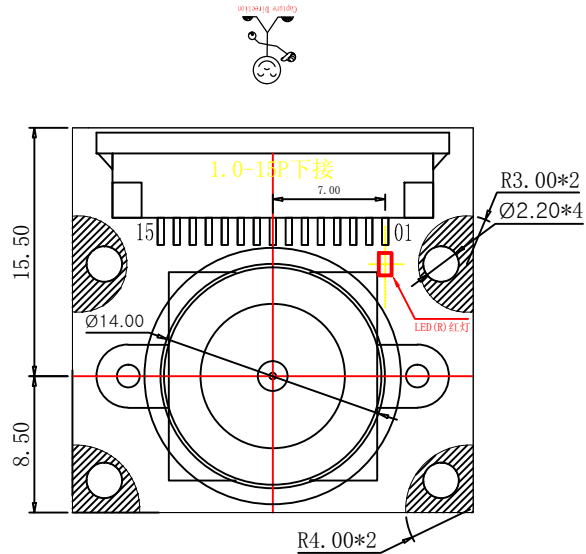
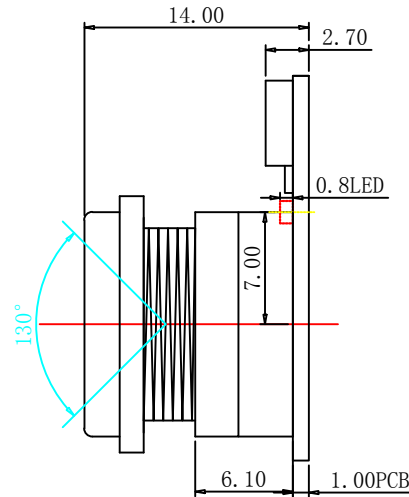


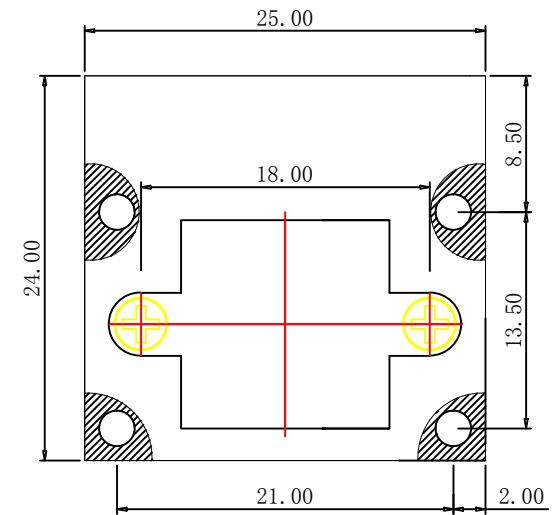
TOP VIEW



SIDE VIEW



BOTTOM VIEW



Lens Specification

Optical Specification		PIN DEFINITION					
Focal Length	2.1mm	PIN	SIGNAL	PIN	SIGNAL	PIN	SIGNAL
FOV (D)	130°	1	GND	6	CAM1-DP1	11	CAM-GPI0
TV Distortion	<12.0 %	2	CAM1-DN0	7	GND	12	LED-ON
F.Number	F2.0	3	CAM1-DP0	8	CAM1-CN	13	SCLO
		4	GND	9	CAM1-CP	14	SDAO
		5	CAM1-DN1	10	GND	15	AVDD3.3

NOTE

- 1 线性尺寸未注公差均为±0.2mm
- 2 Sensor:OV5647
- 3 Image direction register use default settings.

4				一般公差	深圳市汇博视捷科技有限公司		SCALE		PROJ.	☐ ⊕	
3				尺寸范围	容许公差		REV	1	QTY	1	
2				ANGLE	±5°	TITLE	CMOS Camera Module	SHEET	1 OF 1	SIZE	A4
1						DRAWING		DATE		Part Name	Raspberry Pi Camera
NO.	更改	NAME	DATE			CHECKED		UNIT	MM	Customer P/N	
						APPROVED		WEIGHT		Material	