




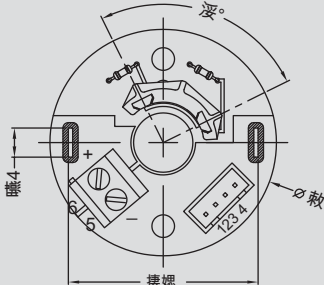
# ● Orange OE-775 Encoder

## Two Channel Hall Effect Encoder

Operating relative humidity : 20%~85%RH

Operating temperature range: -40°C~+85°C



**Two Channel Encoder Connctions:**

- 1.HALL SENSOR Vcc
- 2.HALL SENSOR GND
- 3.HALL SENSOR A Vout
- 4.HALL SENSOR B Vout
- 5.MOTOR -
- 6.MOTOR +

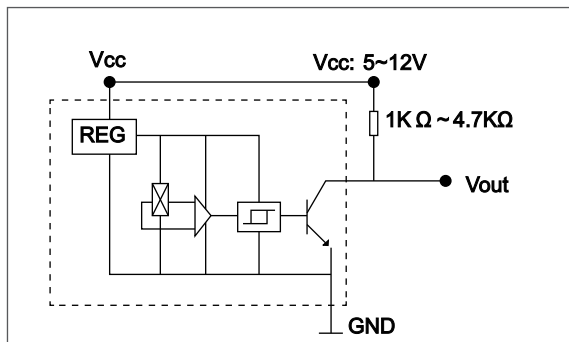
\* This decoder is mainly installed on RS-755, RS-775 motors.  
 \* 3PPR,7PPR  
 \* Each turn output 3PPR,7PPR

Characteristics	Symbol	Test conditions	Min	Ref	Max	Units
Supply Voltage	Vcc	-----	4.5	--	24	V
Supply Current	Ice	-----	--	14	20	mA
Output Current	Ic	Vce=12V; Gauss<-170	--	<0.1	20	mA
Output Leakage Current	Icex	Output open; 25°C [ 77 °F ]	--	--	10	µA
Output Rise Time	Tr	RL=820Ω; CL=20pF; 25°C	--	0.5	1.5	µS
Output Fall Time	Tf	RL=820Ω; CL=20pF; 25°C	--	0.2	1.5	µS

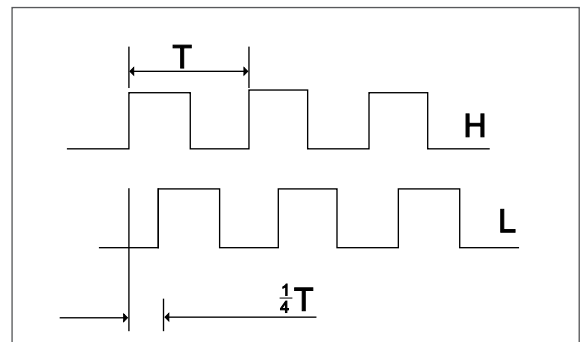
### ELECTRICAL CHARACTERISTICS

At V=4.5V to 24V with 20mA load with Ta=-40°C to 125°C [-77°F to 257°F ] unless otherwise noted.

#### Output Circuit



#### Output Wave



○ The above parameters are for reference only.