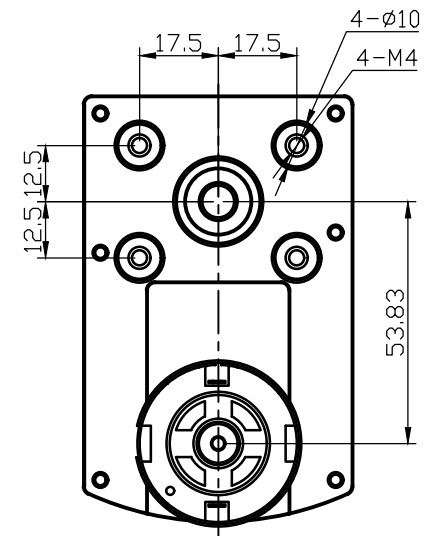
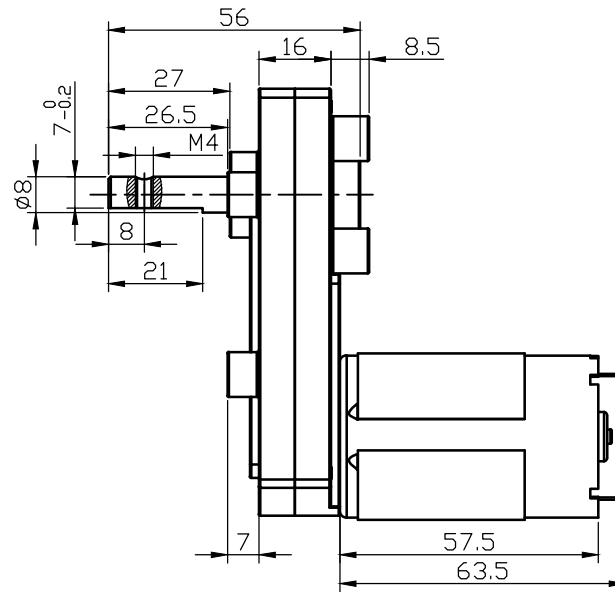
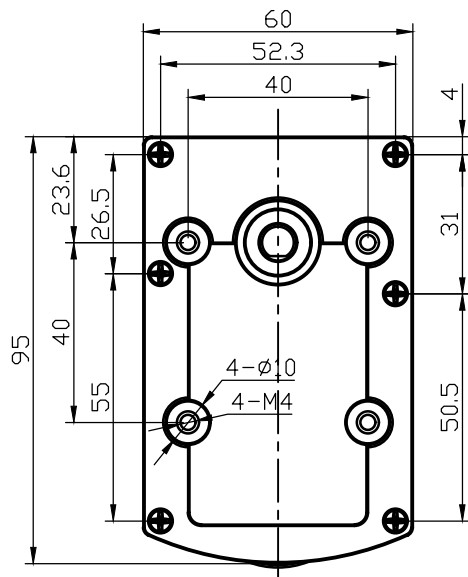


Drawing NO.	SG02 (36KA)-4001-XXX	Model No.	TT-555124500-36K	Voltage	12V DC
Drawing:					Edition: 1.0



Details:

Remarks:

Draw:		Rev:		App.:	
-------	--	------	--	-------	--