

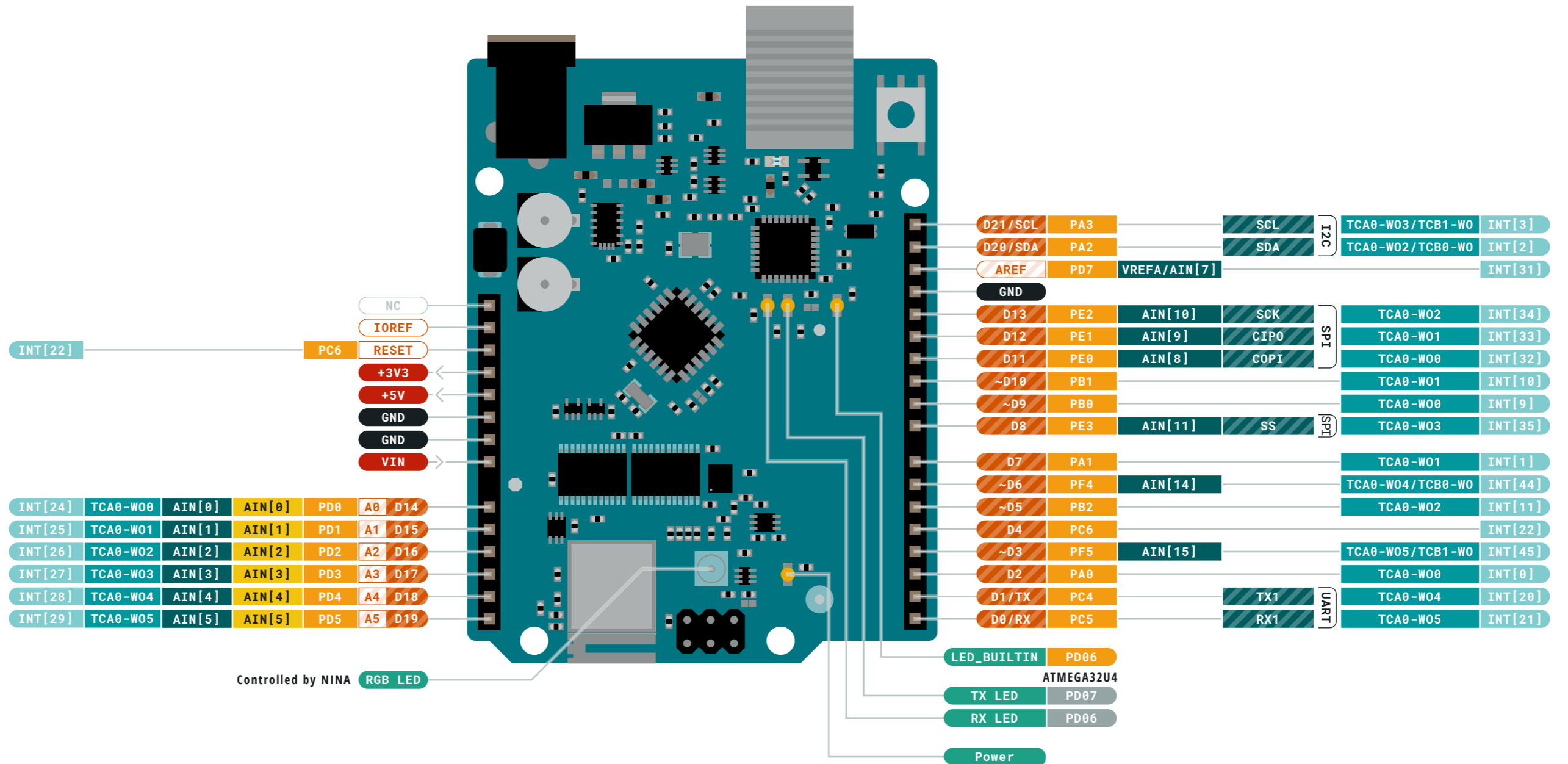
- Ground
- Power
- LED
- Internal Pin
- SWD Pin
- Digital Pin
- Analog Pin
- Other Pin
- Microcontroller's Port
- Default

- ⚠ **MAXIMUM** current per pin 40mA, 20mA recommended
- ⚠ **MAXIMUM** current 200mA for the entire package
- ⚠ The total current of each port power group **should not exceed** 100mA

**VIN** 7-12 V input to the board.

NOTE: CIPO/COPI have previously been referred to as MISO/MOSI





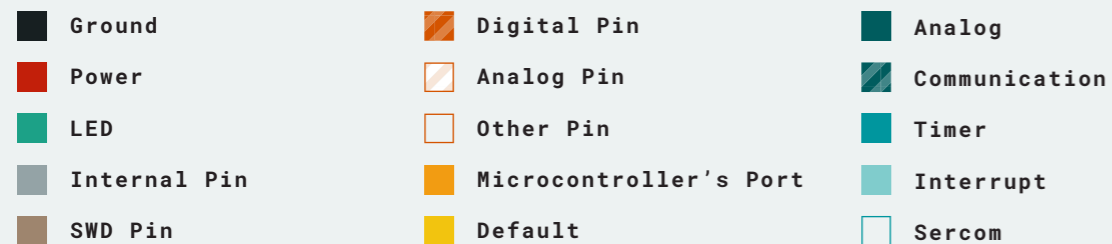
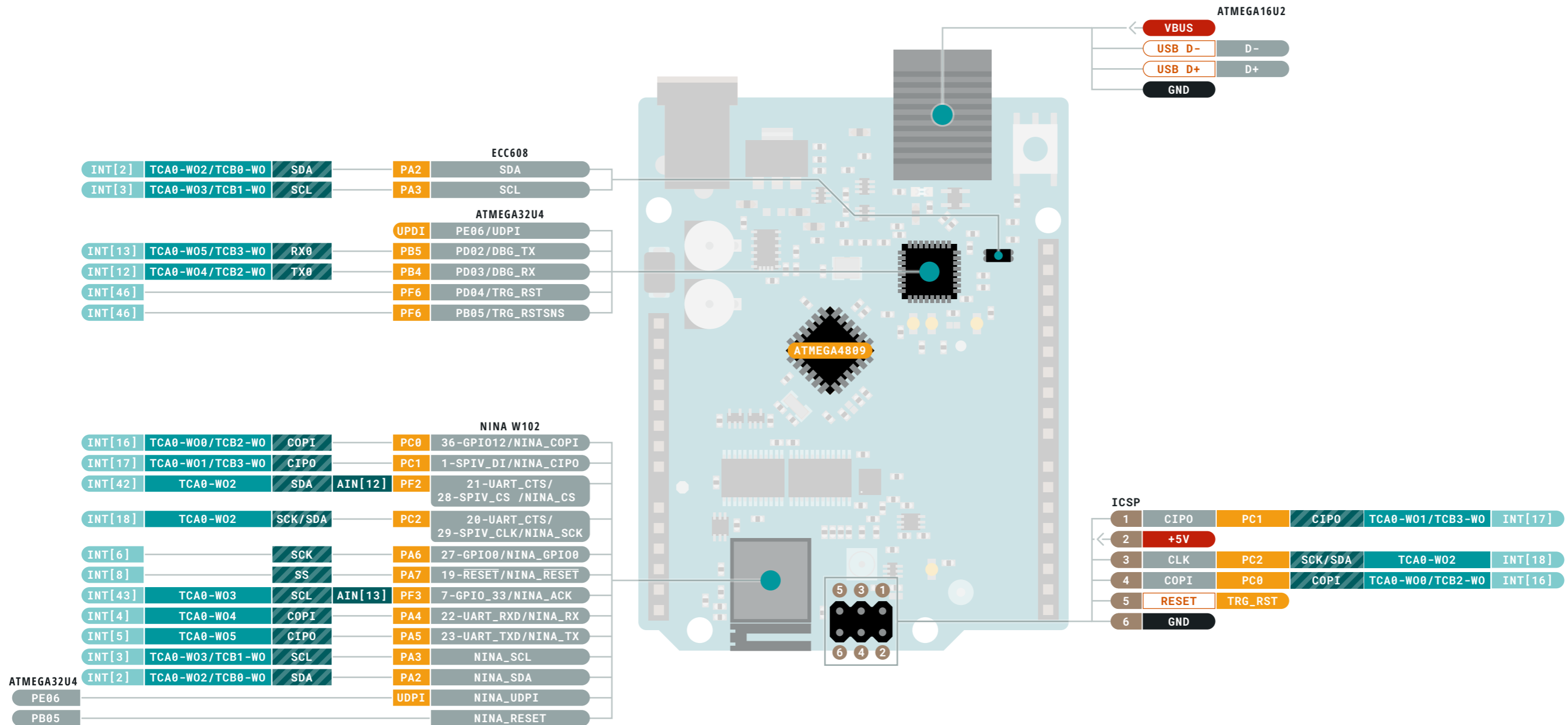
Ground	Digital Pin	Analog
Power	Analog Pin	Communication
LED	Other Pin	Timer
Internal Pin	Microcontroller's Port	Interrupt
SWD Pin	Default	Sercom

- MAXIMUM** current per pin 40mA, 20mA recommended
- MAXIMUM** current 200mA for the entire package
- The total current of each port power group **should not exceed** 100mA

**VIN** 7-12 V input to the board.

NOTE: CIP0/COPI have previously been referred to as MISO/MOSI



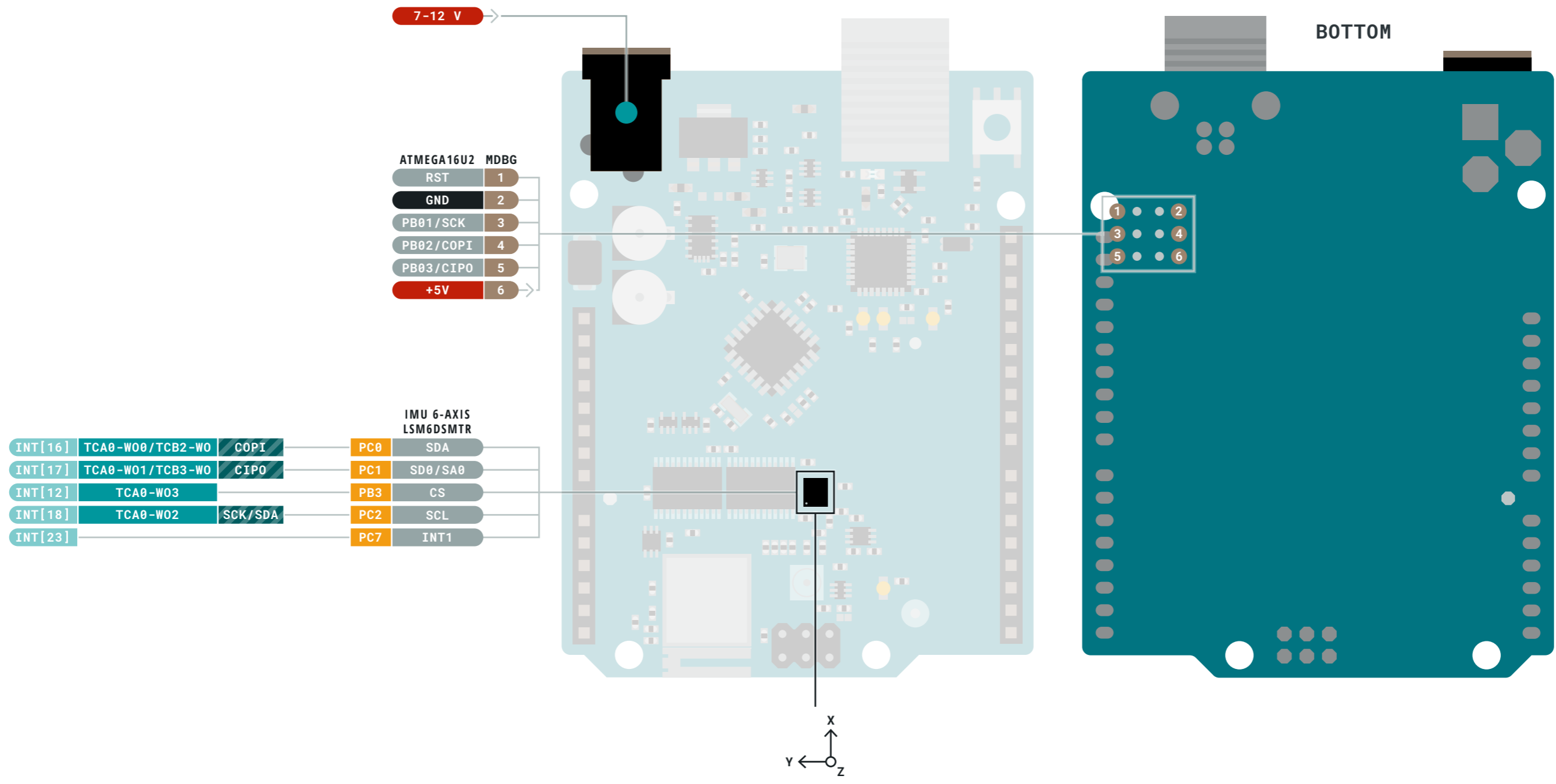


- MAXIMUM** current per pin 40mA, 20mA recommended
- MAXIMUM** current 200mA for the entire package
- The total current of each port power group **should not exceed** 100mA

**VIN** 7-12 V input to the board.

NOTE: CIPO/COPI have previously been referred to as MISO/MOSI



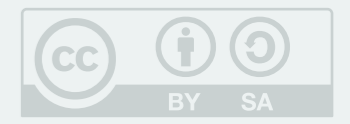


Ground	Digital Pin	Analog
Power	Analog Pin	Communication
LED	Other Pin	Timer
Internal Pin	Microcontroller's Port	Interrupt
SWD Pin	Default	Sercom

- MAXIMUM** current per pin 40mA, 20mA recommended
- MAXIMUM** current 200mA for the entire package
- The total current of each port power group **should not exceed** 100mA

**VIN** 7-12 V input to the board.

NOTE: CIPO/COPI have previously been referred to as MISO/MOSI



This work is licensed under the Creative Commons Attribution-ShareAlike 4.0 International License. To view a copy of this license, visit <http://creativecommons.org/licenses/by-sa/4.0/> or send a letter to Creative Commons, PO Box 1866, Mountain View, CA 94042, USA.