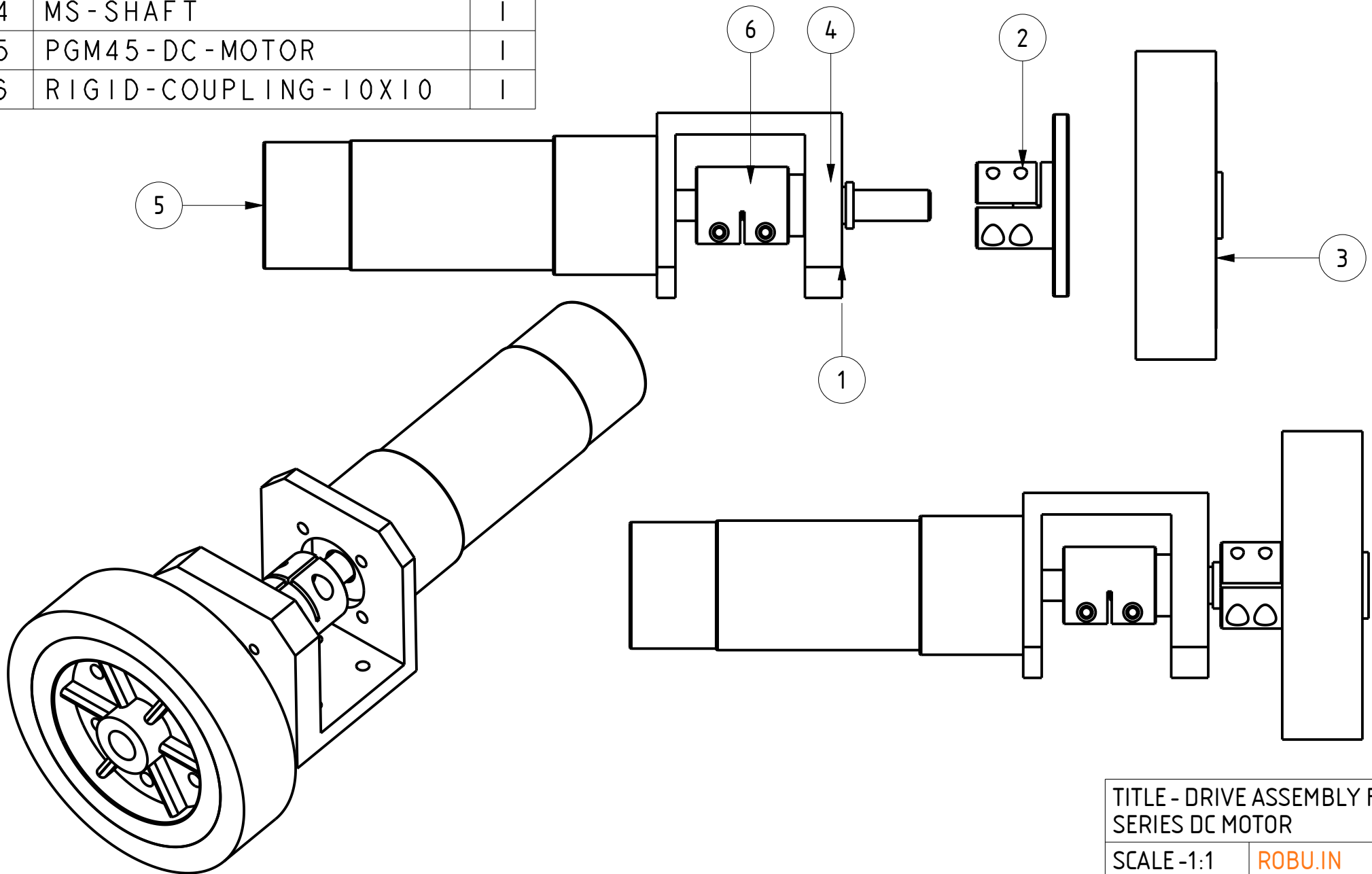


ITEM NO	mbr.name	QTY
1	AGV-BRG-HOUSING	1
2	ANTISLIP-10MM-COUPLING	1
3	HD-WHEEL	1
4	MS-SHAFT	1
5	PGM45-DC-MOTOR	1
6	RIGID-COUPLING-10X10	1



TITLE - DRIVE ASSEMBLY FOR PGM45
 SERIES DC MOTOR
 SCALE -1:1 | ROBU.IN
 ALL DIMENSIONS ARE IN MM