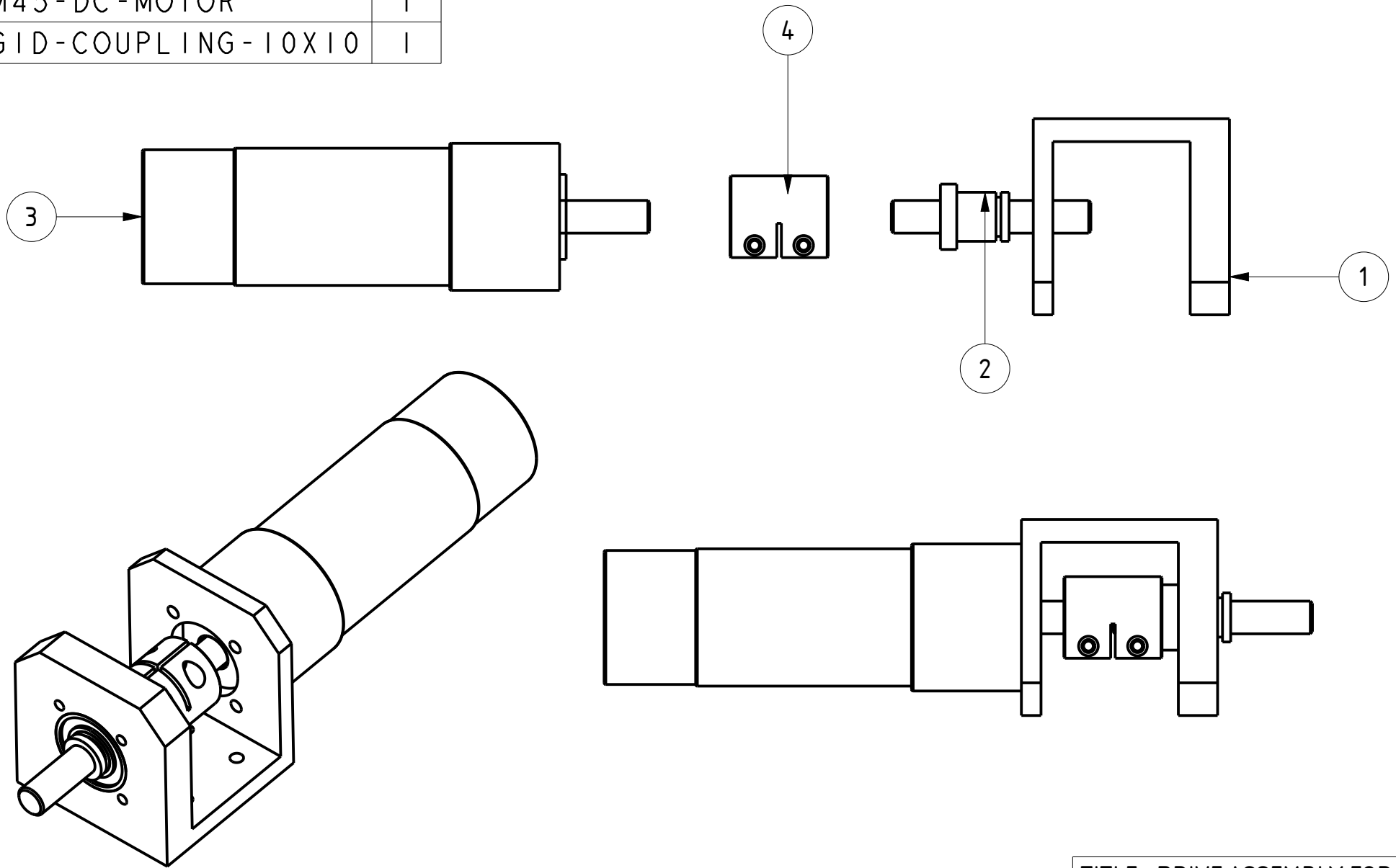


ITEM NO	mbr.name	QTY
1	AGV - BRG - HOUSING	1
2	MS - SHAFT	1
3	PGM45 - DC - MOTOR	1
4	RIGID - COUPLING - 10X10	1



TITLE - DRIVE ASSEMBLY FOR PGM45  
SERIES DC MOTOR

SCALE -1:1 | **ROBU.IN**

ALL DIMENSIONS ARE IN MM