

HK2016 Pressure sensors

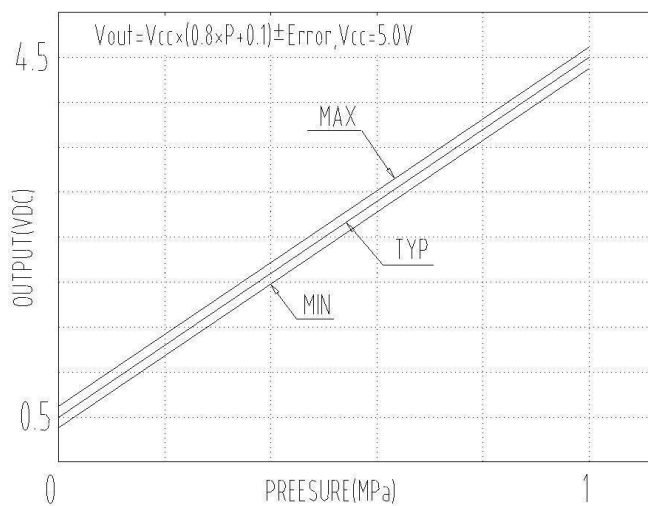
◆ typical application

Pressure measurement of clean, non-corrosive gases and liquids

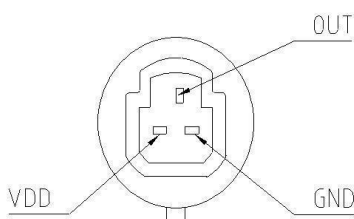
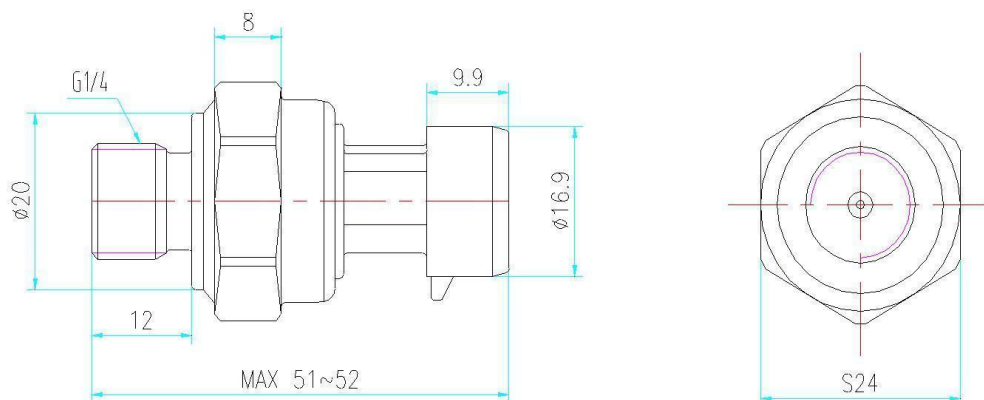
◆ Technical Parameters

operating voltage:	5±0.25 VDC	operating temperature:	-20~105 °C
output voltage:	0.5~4.5 VDC@5V	Storage temperature range:	-20~105 °C
Operating Current:	≤10 mA	Measurement accuracy:	±1.0 %FS
Working Pressure Range:	0~1.0 MPa	temperature effect:	±0.03 %FS/°C
Maximum applied pressure:	2.0 MPa	response time:	≤2.0 ms
destructive pressure:	3.0 MPa	Cycle life:	1,000,000 pcs

◆ output curve



◆ Product Illustrations & Dimension



Lead Definitions:
VCC: Red line (power +)
OUT: blue/yellow wire (signal output)
GND: black wire (power supply -)