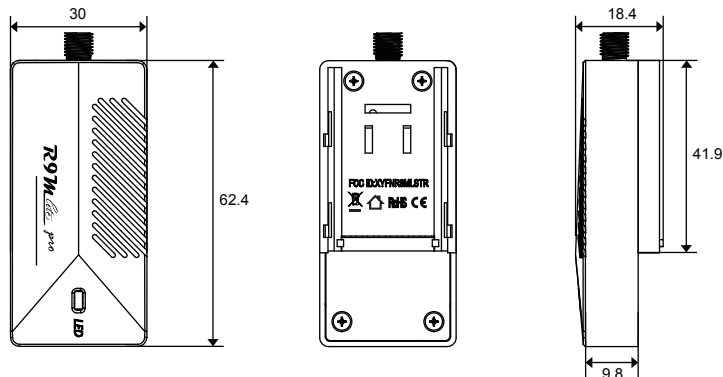


Introduction

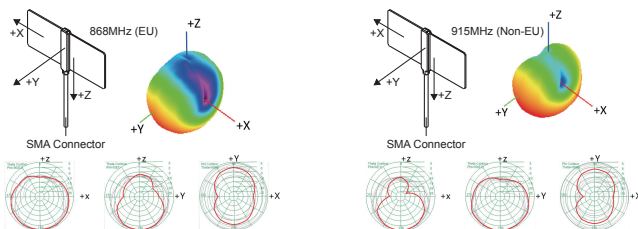
The R9M Lite Pro is the upgraded 900MHz Lite module. It has a high-speed digital interface, supports up to 1W (500mW for LBT) RF power, and is fully encased in a CNC aluminum protective shell which also aids in heat dissipation when using high RF power. Designed with the new ACCESS firmware, it also supports spectrum analyzer functions. The module is perfectly compatible with FrSky new ACCESS radios like Taranis X-Lite PRO and X9 Lite. In order to fully enjoy the benefits of this system, please read the instruction manual carefully and set up the device as described below.

Overview



Zipp9 (868MHz) / Zipp9 (915MHz) Antenna

Recommended 900MHz optional high-gain antenna for achieving higher performance and further range.



Specifications

- Dimension: 62.4mm × 30mm×18.4mm (L×W×H)
- Weight: 34g
- Channel: 16CH
- Operating Current: ≤230mA@7.2V typ
- Upgrade Interface: Smart Port
- RF Operating Frequency: 915MHz/868MHz
- Compatibility: R9 ACCESS Series Receivers
- **Non-LBT RF Power: 10mW/100mW/500mW/100mW~1W (Self-adaptive)**
- **LBT RF Power:**

	LBT Version			Range Check
RF Power	25mW	500mW	200mW	0.01mW
Mode	Telemetry	No Telemetry		/



Smart Port (S. Port) is a signal wire full duplex digital transmission interface developed by FrSky Electronic Co., Ltd. All products enabled with Smart Port (including XJT module, RX8R receiver, new hub-less sensors, new Smart Dashboard, etc), serial port user data and other user input/output devices can be connected without limitations for numbers or sequences at a high transmission speed.

Features

- Long range, low latency, and high precision
- High-speed digital module interface
- Supports spectrum analyzer function
- Telemetry data transmission supported
- CNC aluminum protective shell
- Perfectly compatible with ACCESS protocol and new FrSky radio models (e.g. Taranis X-Lite PRO and new upcoming models)

LED State

Red LED	Green LED	Blue LED	Status
Flash	Off	Flash	Register
On	Off	Off	Register successfully
Flash	Flash	Off	Bind
On	On	Off	Bind successfully
Off	On	Flash	Range
On	Flash	Off	Tele
On	Off	Off	Non-Tele

Registration & Automatic binding (Smart Match™)

With the FrSky ACCESS protocol, the transmitter/transmitter module can bind receiver without using the "F/S" button.

Follow the step below to finish the Registration & binding procedure:

1. Put the transmitter/transmitter module into [Reg] status.
 - 1.1 For Taranis X-Lite Pro as an example, turn on the transmitter, go to the MENU-MODEL SETUP-PAGE 2, choose External RF-Mode R9MLP ACCESS, then select [Reg].
2. Connect the battery to the receiver while holding the F/S button on the receiver. The RED LED and GREEN LED on the receiver will be on, indicating into the [Reg] status. Select [ENTER] on the transmitter, The RED LED and GREEN LED on the receiver will flash, and the transmitter displays [Registration ok].
3. Turn off the receiver.
4. Move the cursor to select the receiver 1 [Bind].
5. Connect the battery to the receiver, the GREEN LED on the receiver will be on, indicating into the [Bind] status. Select the RX, the GREEN LED on the receiver will keep lit, the RED LED will flash, and the transmitter displays [Bind successful].
6. The transmitter exit [Bind], the receiver GREEN LED will flash, RED LED will be off, indicating working normally.

Note: You can set the RF power: Go to the External RF-Options [set].

Range Check

A pre-flight range check should be done before each flying session. Reflections from nearby metal fences, concrete buildings or trees can cause loss of signal during range check and flight. Normally, the RSSI is about 45-50 at 150m in range check mode.

1. Place the model at least 60cm (two feet) above non-metal contaminated ground (e.g. on a wooden bench). The receiver antenna should be in vertical position.
2. Turn on the transmitter and the receiver, go to MODEL SETUP—External RF—Mode R9MLP ACCESS—Range.

How to Set Failsafe mode (on the transmitter)

There are 3 failsafe modes: No Pulse, Hold, Custom

- No Pulse: on loss of signal the receiver produces no pulses on any channel. To apply this type, select it in the menu and wait 9 seconds for the failsafe to take effect.
- Hold: the model will hold the last position after signal lost. To apply this type, select it in the menu and wait 9 seconds for failsafe to take effect.
- Custom: the customized position of each individual channel. The model will move to the preset position after signal lost. Move the cursor to "Set" and press ENTER, you will see FAILSAFE SETTING screen below. Move the cursor to the channel you want to set failsafe on, and press ENTER. When moving the corresponding sticks or switches, you will see the channel bar moving. Move the channel bar to the place you want for failsafe and long press ENTER to finish the setting. Wait 9 seconds before failsafe taking effect.

Note: If failsafe is not set, the model will hold the last position after signal is lost, thus it may fly away or cause injury.

More information please refer to the introduction manual for transmitter.

FrSky is continuously adding features and improvements to our products. To get the most from your product, please check the download section of the FrSky website www.frsky-rc.com for the latest update firmware and manuals