

#12027 #12028 #12029

M9N GPS



Descriptions:

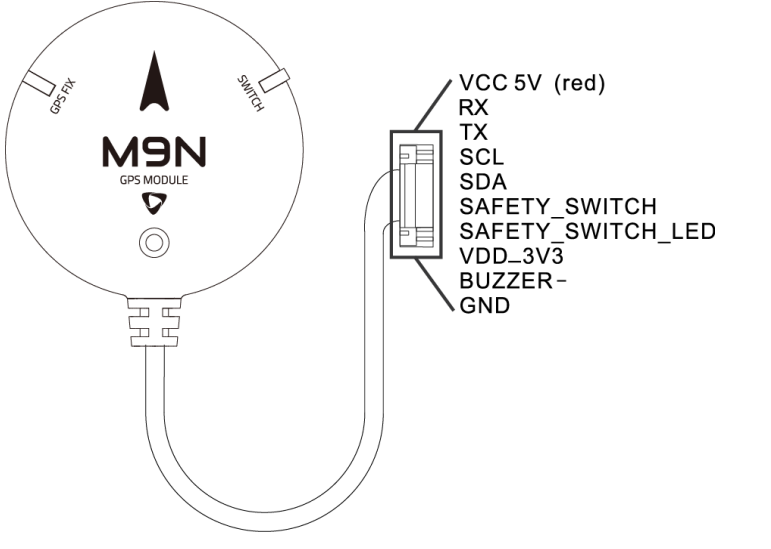
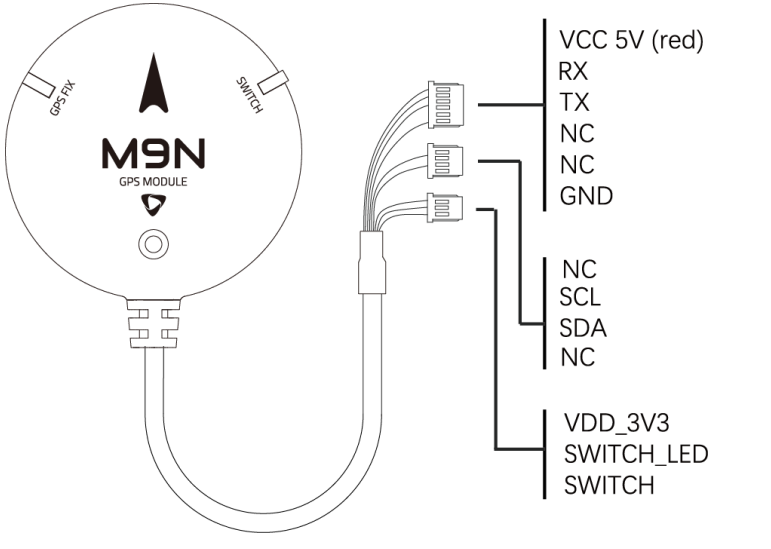
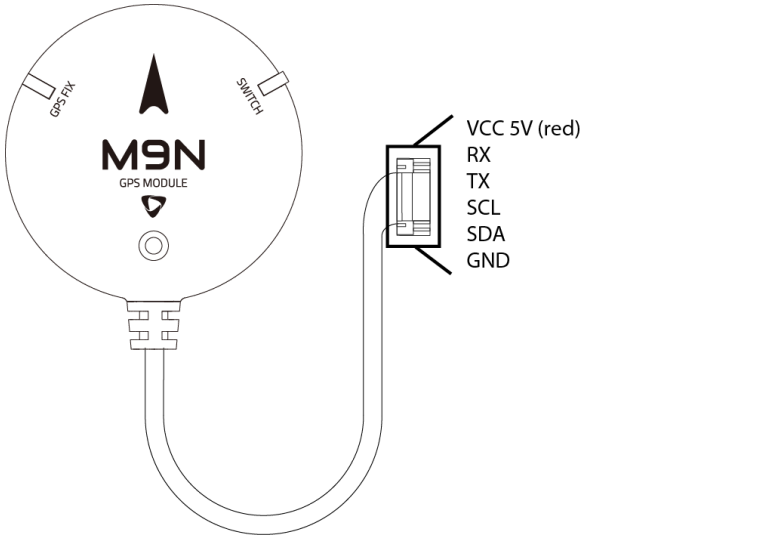
The M9N GPS has an UBLOX M9N module, IST8310 compass, tri-colored LED indicator, and a safety switch. There are 3 different connectors options for different purposes.

This module ships with a baud rate of 38400 5Hz

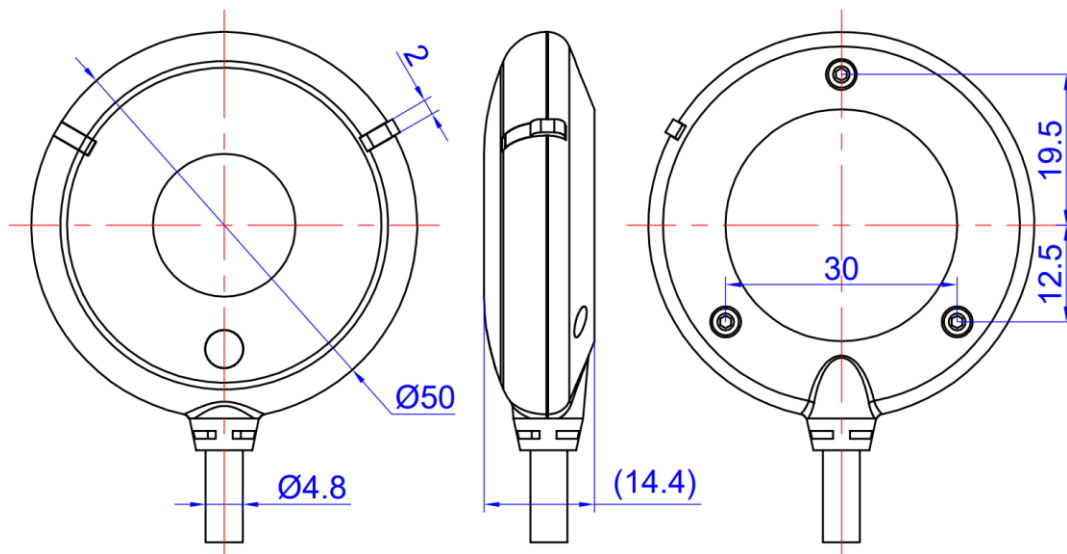
Features and Specifications:

- Ublox Neo-M9N module
- Industry leading -167 dBm navigation sensitivity
- Cold starts: 26s
- LNA MAX2659ELT+
- 25 x 25 x 4 mm ceramic patch antenna
- Rechargeable Farah capacitance
- Low noise 3.3V regulator
- Current consumption: less than 150mA @ 5V
- Fix indicator LEDs
- Protective case
- 26cm cable included
- Diameter 50mm total size, 32 grams with case.

Pin Map

<p>SKU12027</p> <p>Holybro M9N GPS (JST GHR1.25mm 10 pin cable):</p> <p>This JST GH 10Pin connector can be used on Pixhawk Series 10pin "GPS Module" or "GPS1" input port.</p>	 <ul style="list-style-type: none"> VCC 5V (red) RX TX SCL SDA SAFETY_SWITCH SAFETY_SWITCH_LED VDD_3V3 BUZZER-GND
<p>SKU12028</p> <p>Holybro M9N GPS for Pix32 (Molex1.25mm 6pin & 4pin & 3pin cable):</p> <p>These Molex1.25mm 6pin & 4pin & 3pin connectors are for Pix32 "Switch", "GPS", and "I2C" input ports.</p>	 <ul style="list-style-type: none"> VCC 5V (red) RX TX NC NC GND NC SCL SDA NC VDD_3V3 SWITCH_LED SWITCH
<p>SKU12029</p> <p>Holybro M9N 2nd GPS(JST GHR1.25mm 6pin cable):</p> <p>This JST GH 6Pin connector can be used on Pixhawk Series 6pin "UART & I2C" or "GPS2" input port as secondary GPS.</p>	 <ul style="list-style-type: none"> VCC 5V (red) RX TX SCL SDA GND

Dimensions



DIMENSIONS IN MILLIMETERS

Package Included:

M9N GPS Module *1

'X' type folding pedestal mount *1

Carbon rod 70mm & 140mm *1

Holybro is a registered trademark of Holybro, registered in the U.S. and other countries.

©Copyright 2018 Holybro. All Rights Reserved.