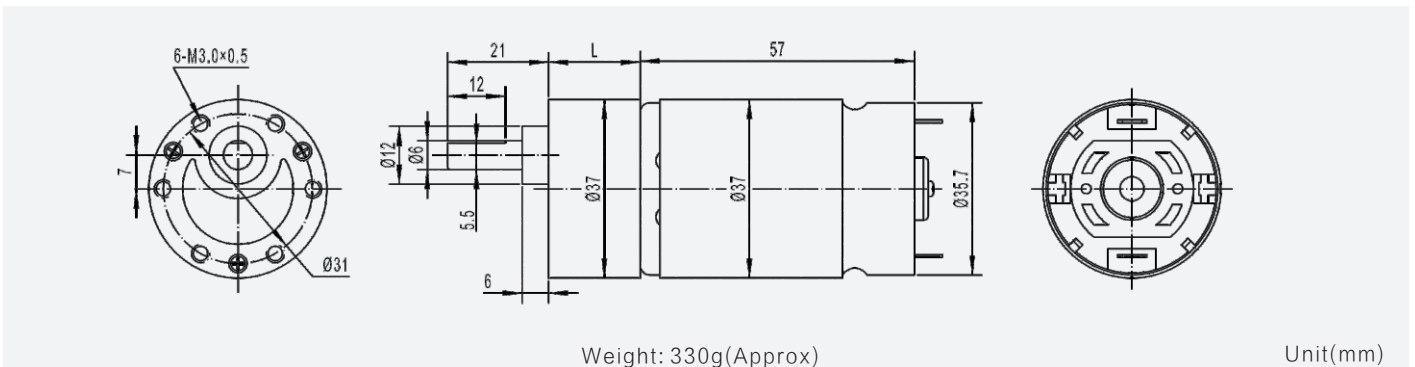


# GM37-555PM

37mm gearbox plus 555 permanent magnet DC motor

模数 Module	0.5/0.6				
额定负载 Rated torque (kg.cm)	8.0 kg.cm max				
瞬间允许力矩 Max momentary tolerance torque (kg.cm)	15.0 kg.cm max				
减速比 Reduction ratio	1/6 1/10	1/19 1/30	1/44 1/56 1/90	1/131 1/169 1/270	1/506 1/810
齿轮箱减速级数 Number of gear stages	2	3	4	5	6
减速箱长度 Gearbox length L (mm)	19	21.5	24	26.5	29



## 减速电机技术参数 Gear Motor Technical Data

	减速比 Reduction ratio	6	10	19	30	56	90	169	270	506	810
		空载转速 No-load speed (rpm)	800	480	250	160	85	53	28	18	10
12.0V	负载转速 Rated speed (rpm)	700	430	225	145	77	48	26	16	9	5
	负载力矩 Rated torque (kg.cm)	1.0	1.8	2.7	4.2	6.7	8.0	8.0	8.0	8.0	8.0
24.0V	空载转速 No-load speed (rpm)	600	380	200	120	65	45	24	15	8	5
	负载转速 Rated speed (rpm)	520	320	165	105	56	36	21	14	7	5
	负载力矩 Rated torque (kg.cm)	1.0	1.8	2.7	4.2	6.7	8.0	8.0	8.0	8.0	8.0

## 单电机技术参数 Motor Technical Data

电机型号 Motor model	额定电压 Rated voltage	无负荷 No-load		额定 Rated			堵转 Stall		
		转速 Speed	电流 Current	转速 Speed	力矩 Torque	电流 Current	功率 Power	力矩 Torque	电流 Current
		VDC	r/min	mA	r/min	g.cm	mA	W	g.cm
TRS-555PM-1250	12.0	5000	250	4300	200	1400	8.8	1430	8.5
TRS-555PM-2440	24.0	4000	150	3200	200	800	6.6	1000	3.5

