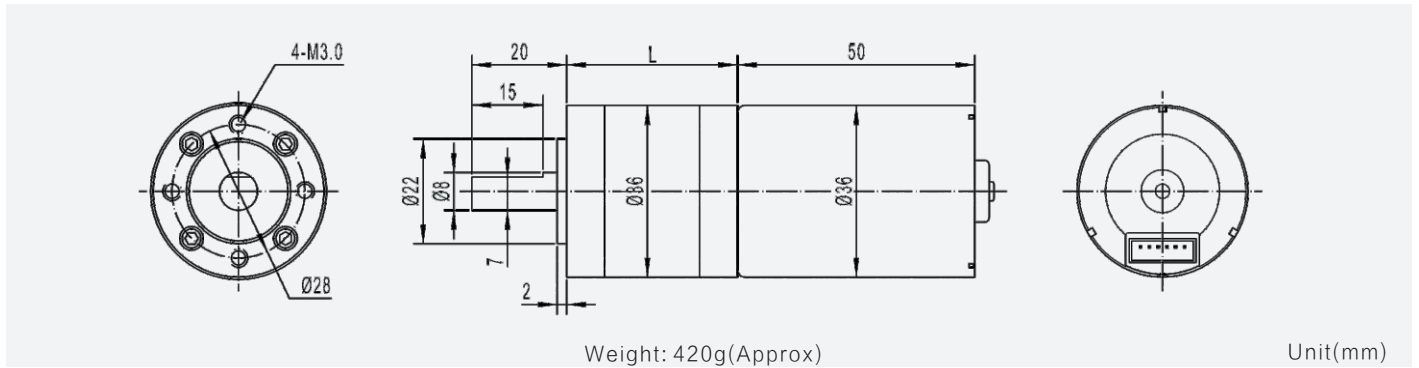


GMP36-TEC3650

36mm planetary gearbox plus 36mm brushless motor



模数 Module	0.5			
额定负载 Rated torque (kg.cm)	30.0 kg.cm max			
瞬间允许力矩 Max momentary tolerance torque (kg.cm)	60.0 kg.cm max			
减速比 Reduction ratio	1/4	1/14 1/19 1/27	1/51, 1/71 1/100, 1/139	1/189, 1/264 1/369, 1/516 1/720
齿轮箱减速级数 Number of gear stages	1	2	3	4
减速箱长度 L (mm)	26	33.5	40.5	47.5

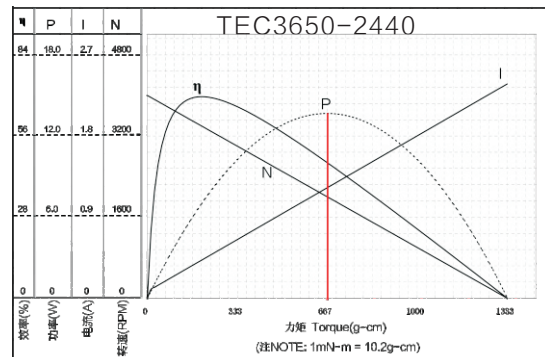
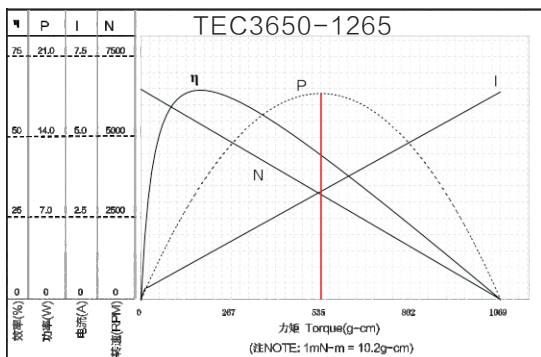


减速电机技术参数 Gear Motor Technical Data

12.0V	减速比 Reduction ratio	4	19	51	100	139	189	264	369	516	720
	空载转速 No-load speed (rpm)	1600	340	125	63	45	34	25	18	12	9
负载转速 Rated speed (rpm)	1320	280	100	53	38	28	20	14	10	8	
负载力矩 Rated torque (kg.cm)	0.7	3.0	8	15	20	28	30	30	30	30	
24.0V	空载转速 No-load speed (rpm)	1000	200	78	40	28	20	15	11	8	5
	负载转速 Rated speed (rpm)	850	180	65	34	24	18	13	9	7	4
	负载力矩 Rated torque (kg.cm)	0.7	3.0	8	15	20	28	30	30	30	30

单电机技术参数 Motor Technical Data

电机型号 Motor model	额定电压 Rated voltage	无负荷 No-load		额定 Rated			堵转 Stall		
		转速 Speed	电流 Current	转速 Speed	力矩 Torque	电流 Current	功率 Power	力矩 Torque	电流 Current
	VDC	r/min	mA	r/min	g.cm	mA	W	g.cm	A
TEC3650-1265	12.0	6500	250	5300	200	1400	11	1050	4.0
TEC3650-2440	24.0	4000	80	3400	200	420	7	1300	2.4



备注：红线左侧为电机可以连续工作区域 NOTE: the left side of red line area can continuous work