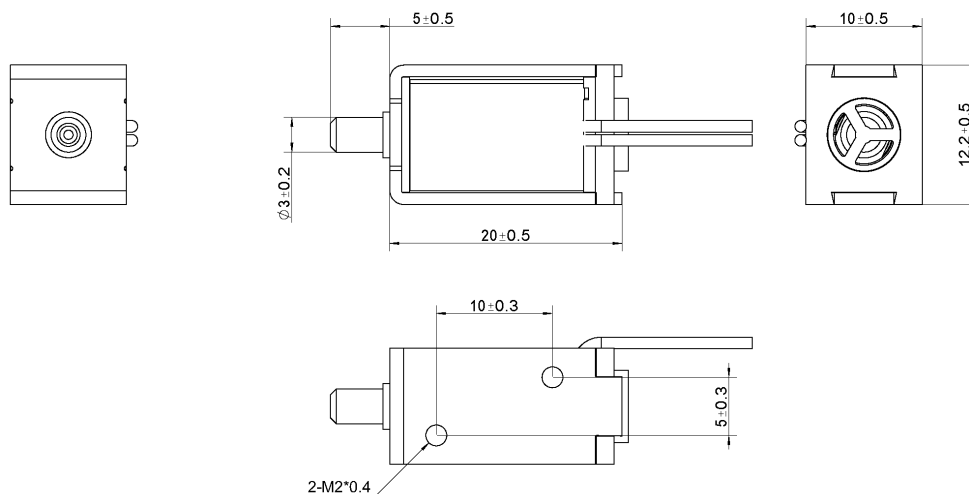


Valve

AJK-F0501



## Product Specification

Rated Voltage	Rated Current	Resistance	Operation Pressure	Exhaust Speed	Load
DC 3.0 V	75 mA	40Ω± 10%	300 mmHg	4s	Air / NO



爱家康

流体全面解决方案提供商

XIAMEN AJK TECHNOLOGY CO., LTD.

+86-0592-2610721 +86-0592-2610791 <http://www.xmajk.com>