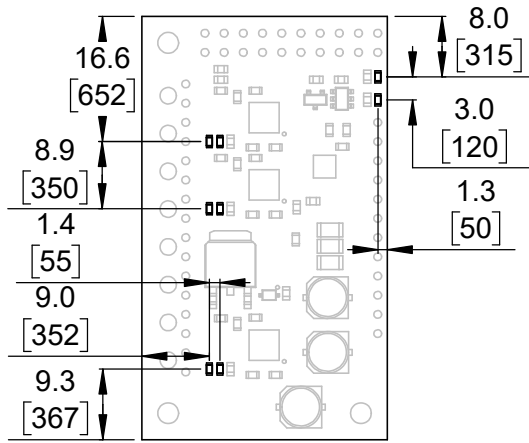


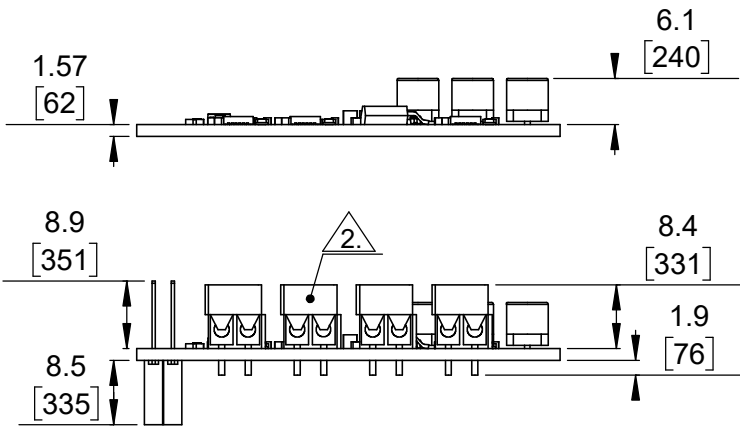
① Board dimensions (top view) Scale 1:1

② Connector callouts (bottom view) Scale 1:1

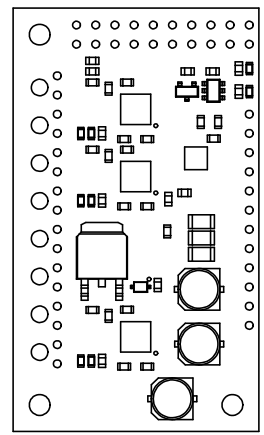
③ Isometric view Scale 1:1



④ Indicator LEDs Scale 1:1



⑤ Profile Scale 1:1



⑥ Actual size Scale 1:1

- ①. Intended for M2.5 screws.
- ②. View shows 3.5 mm [138 mil] pitch terminal blocks.
- ③. Grid lines indicate 2.54 mm [100 mil] spacing.
- ④. To get the specified scale, select 100% in print settings.
- ⑤. Drill location tolerance: ± 0.1 [± 5].
- ⑥. Board edge tolerance: ± 0.3 [± 10].

https://www.pololu.com/product/5033	
Name: Motoron M3H256 Triple Motor Controller for Raspberry Pi	Item number: 5033-5035
Drawing date: 16 May 2022	Dev code: mc3h42a
Units: mm [mil]	Material: mixed

